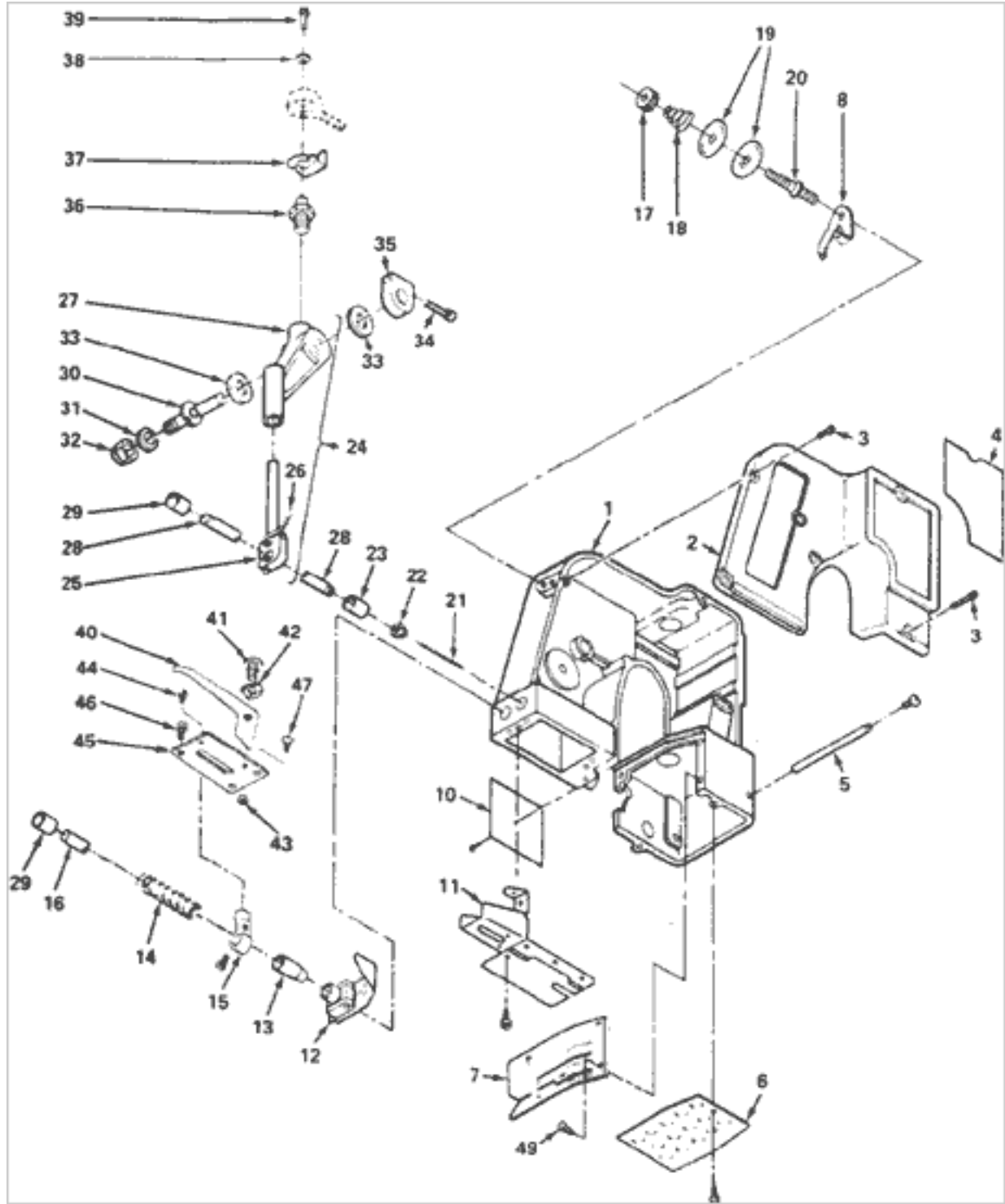


### Ordering Parts

- Description of each part and its stamp number is described in this parts list. Screws and nuts for parts are shown adjacent to the relevant parts. When ordering parts, describe clearly stamp number with its name of part.
- The parts which have no Ref. Number can not be delivered independently, always order it as an assembly.
- A set of assembled parts is represented by the stamp number of its main parts.
- The last figure on the parts stamp number advances on each improvement of the parts.
- Parts No. described in [ ] of Remarks means old parts no.  
The parts list is subject to change without prior notice.

### Parts List Contents

1. Reference Plate A .....	2
2. Reference Plate B .....	5
3. Reference Plate C .....	8

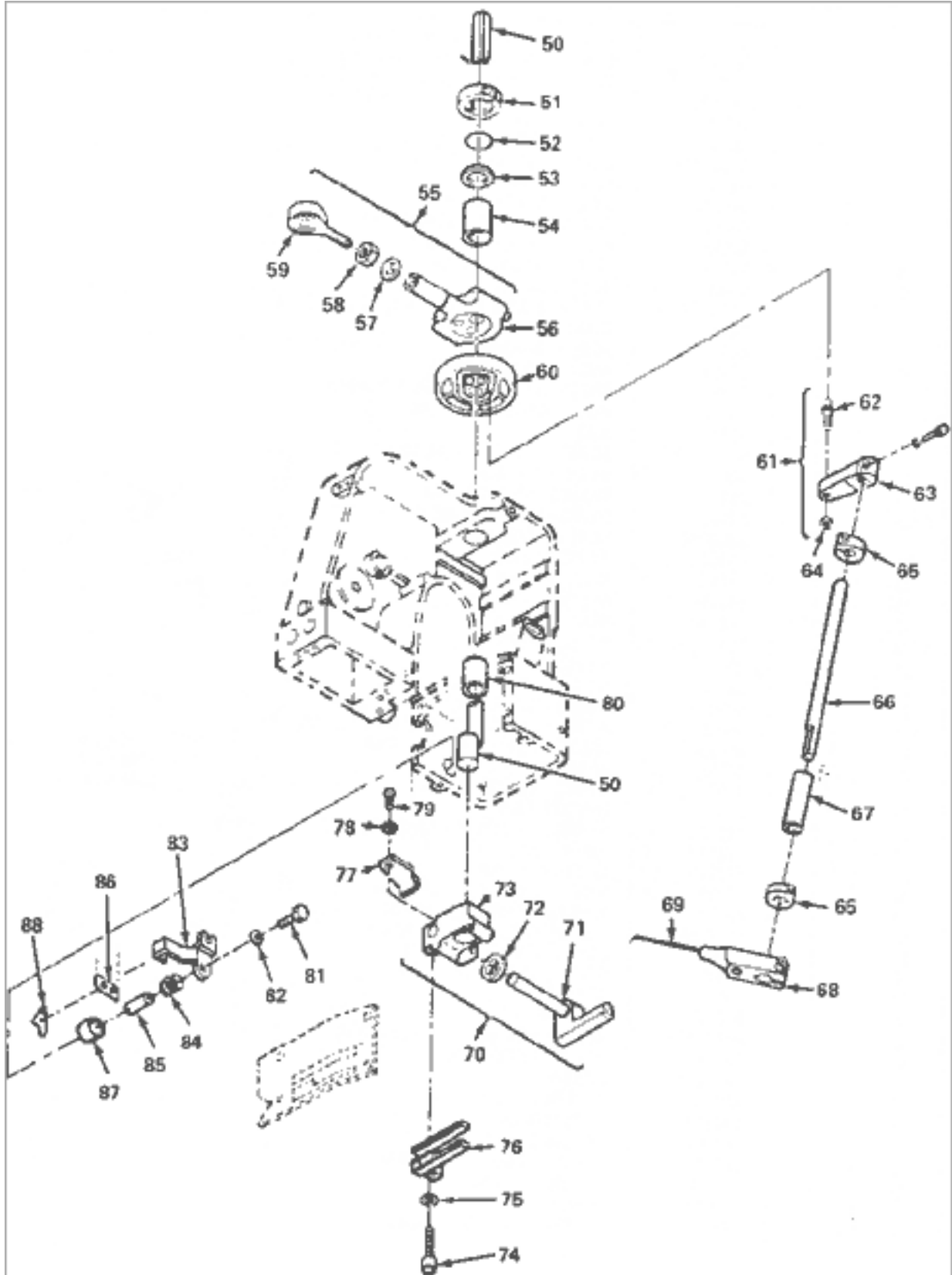


**Housing, Needle Lever, Pressure Foot**

Ref. No.	Part No.	Description	Q'ty	Remarks
1	66288	Assy. Housing & Cover W/Bushigs	1	
	SS83231 6	Screw, Soc.Set - #8-32 N.C. x 3/16 (Screw for all Bushings)		
	66289	Cover, Housing - (Part of Item #1)	8	
3	F R83258	Screw, Fillister HD. - #8-32 N.C. x 5/8	1	
4	66295	Name Plate	6	
5	66010	Stud, Feed Dog, Carrier Slide	1	
	SB 103214	Screw, Soc. Button H.D. - # 10-32 N.F. x 1/4	1	
6	66102	Cover, Looper	2	
	66108	Stud, Looper Cover	1	
7	66210	Plate, Throat - Standard	1	
	66212	Plate, Throat - Taping	1	
8	66118	Tube, Thread Guide	1	
10	66009	Plate, Cover	1	
	B103214	Screw, Binding HD. - #10-32 N.F. x 1/4	1	
11	66101K	Guard, Needle Bar	1	
	B832316	Screw, Binding HD. - #8-32 N.F. x 3/16	1	
12	66400	Assy., Presser Foot	3	
	66399	Presser Foot, Taping & Plastic	1	
	66402	Bolt, Hinging	1	
	66711	Nut	1	
	SS832316FP	Screw, Soc.Set - #8-32 N.C. x 3/16 (Flat Point)		
13	66413	Bushing, Lower	1	
14	66414	Spring, Presser Bar	2	
15	66181	Presser Bar Connection	1	
16	SM40003	Screw, 11/64-40	1	
17	66404	Presser Bar	1	
18	66116	Nut, Tension	1	
19	66115	Spring, Tension	1	
20	66114	Disc, Tension	1	
21	66113	Stud, Tension	1	
22	D5	Needle	2	
23	66501	Nut, Needle Bar	1	
24	66504	Bushing, Needle Bar - Lower	1	
25	66099	Assy., Clamp - Needle Bar Lever	1	
26	66502	Assy., Clamp - Needle Bar		(Part Of Item #24)
27	66508	Wicking		(Part Of Item #24)
28	66091	Assy., Needle Lever		(Part Of Item #24)
29	66500	Needle Bar	1	
30	66503	Bushing, Needle Bar & Presser Bar - Upper	1	
31	66287	Pin, Pivot	1	
32	75391	Washer, Flat	1	
33	66268	Nut, Lock (Nylon Special) - 3/8 - 24 N.C.	1	

34	75367	Washer, Thrust - Needle Lever	1	
35	SC64058	Screw, Soc.Cap - # 6-40 N.F. x 5/8	2	
36	66008	Clamp, Pivot - Needle	1	
37	66507	Stud, Conectiing Rod	1	
38	66510	Spring	1	
39	66208	Washer	2	
40	H103212	Screw, Hex HD. - #10-32 N.F. x 1/2	1	
41	66161	Presser Foot Lifter	1	
42	SM40015	Screw, 11/64-40	1	
43	W08206	Spring Washer, 1/4	1	
44	N40201	Nut, 11/64-40	1	
45	SM40001	Screw, 9/64-40	1	
46	66171	Presser Foot Lifter Base	1	
47	SM40002	Screw, 11/64-40	1	
48	SM40007	Screw, 11/64-40	1	
49	F64038	Screw, Flat HD. - #6-40 N.F.x 3/8	1	

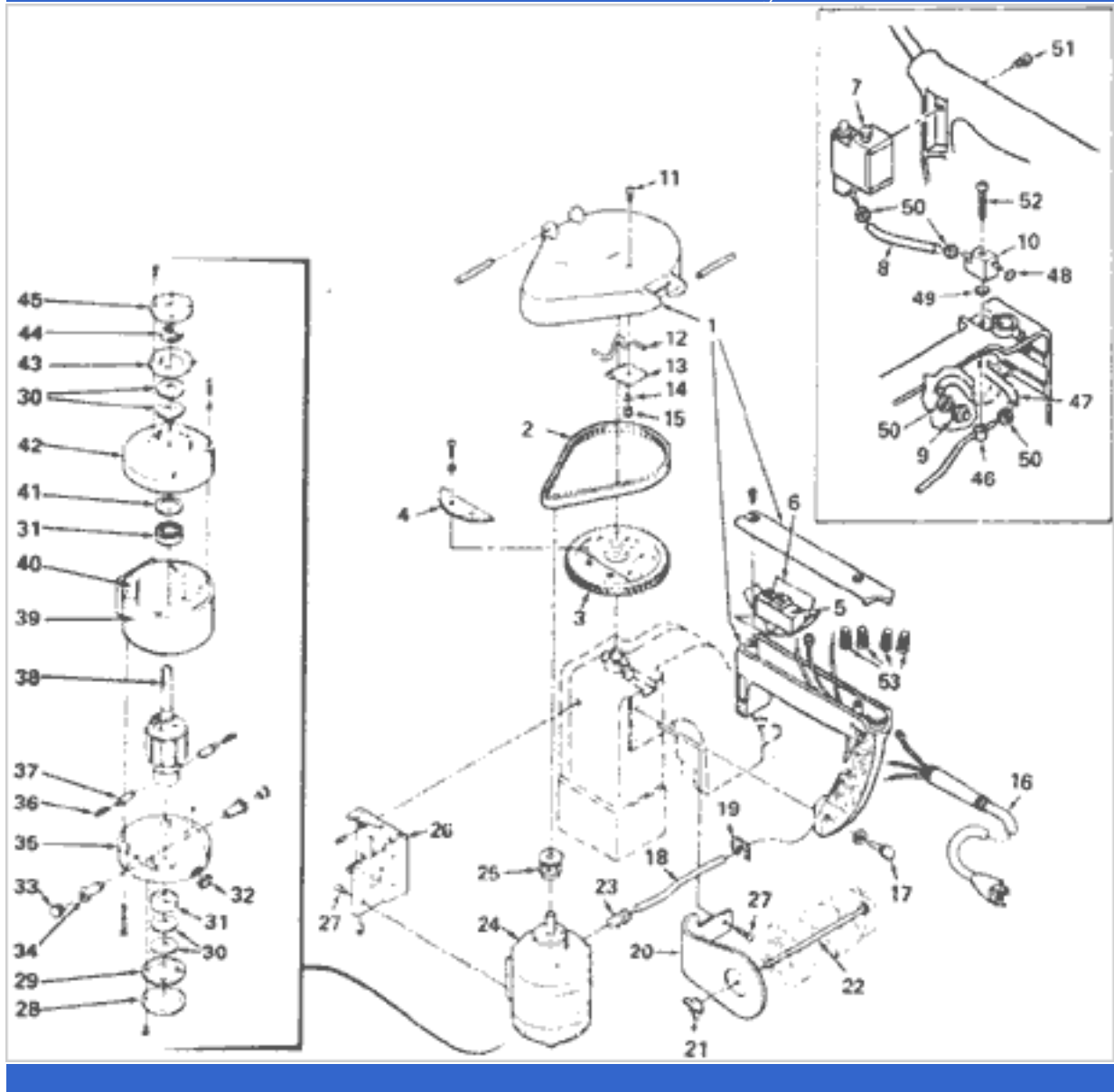
Main Shaft & Looper Assembly



**Main Shaft & Looper Assembly**

Ref. No.	Part No.	Description	Q'ty	Remarks
50	66600	Main Shaft	1	
51	66616	Collar, Main Shaft	1	
	SC54038	Screw, Soc.Cap - #5-40 N.C.x 3/8	1	
52	10420	Ring, "O"	1	
53	566006	Washer, Thrust	1	
54	66601	Bushing, Main Shaft - Rear	1	
55	66014	Assy., Con Rod & Bearing	1	
56	66079	Assy., Con Rod & Eccentric	1	
57	WIT516	Washer, Internal Tooth - 5/6	1	(Part Of Item #54)
58	66608	Nut, Hex-Special	1	
59	66607	Bearing, Rod End	1	
60	66310	Assy., Cam - Looper	1	
	66311	Screw, Soc.Set- #10-32 N.F.x 5/8 (Cone Point)	1	
	SS103212	Screw, Soc.Set- #10-32 N.F.x 1/2	1	
61	66317	Assy., Arm & Stud - Cam Follower	1	
62	66308	Stud, Cam Follower	1	(Part Of Item #60)
63	66307	Arm, Follower - Cam	1	
	SC54058	Screw, Soc.Cap - #5-40 N.C.x 5/8	1	
	66313	Washer, Flat - #5 (Special)	1	
64	66309	Nut, Hex-Special	1	
65	66304	Collar, Looper Shaft	2	
	SC54012	Screw, Soc.Cap - #5.40 N.C.x 1/2	2	
66	66303	Shaft, Looper	1	
67	66019	Bushing, Looper Shaft	1	
67	66301	Holder, Looper	1	
	SS832316FP	Screw, Soc.Set - #8-32 N.C.x 3/16 (Flat Point)	1	
	SC54014	Screw, Soc.Cap - #5.40 N.C.x 1/4	1	
69	66300	Looper	1	
70	66271	Assy., Feed Dog Carrier Block & Slide	1	(Part Of Item #69)
71	66002	Slide	1	
72	66410	Washer, Felt	1	
73	66015	Carrier Block, Feed Dog	1	
	SS64038FP	Screw, Soc.Set - #6-40 N.F.x 3/8 (Flat Point)	4	
74	SC8321	Screw, Soc.Cap- #8-32 N.C.x 1	1	
75	WF8S	Washer, Flat - #8 - Special	1	
76	66203	Feed Dog	1	
	66215	Feed Dog, Special (Linen Machine Only)	1	
77	66003	Clip, Angle	1	
78	WIT8	Washer, Internal Tooth - #8	1	
79	H832516	Screw, Hex H.D.- #8-32 N.C. x 5/16	1	
80	66602	Bushing, Main Shaft - Front	1	
81	H1032516	Screw, Hex H.D.- #10-32 N.F. x 5/16	1	

82	WIT 10	Washer, Lock - #10	1	
83	66007	Bracket, Knife	1	
84	66704	Spring, Knife - Tension	1	
85	66707	Bracket, Knife	1	
86	66703	Knife, Stationary	1	
	F348516	Screw, Flat HD. - #3-48 NC x 5/16	2	
87	66016	Bushing, Knife Shaft	1	
88	66702	Knife, Moving	1	
	F348316	Screw, Flat HD. - #3-48 NC x 3/16	2	





**Handle & Electric Drive**

Ref. No.	Part No.	Description	Q'ty	Remarks
1	66084	Assy. Belt Guard & Handle (Complete)	1	
	66018	Guard, Belt		
	66174	Assy., Handle & Cover	1	
	66011	Cover, Handle,	1	
	R103238	Screw, Round HD.- #10-32 N.F.x 3/8	1	
	PS14112	Pin, Spring - 1/4 Dia.x 1-1/2	2	
2	66909	Belt	1	
3	66904	Pulley	1	
4	66938	Counterweight	1	
	WS8	Washer, Spring - #8	2	
	SB83238	Screw, Round HD.- #8-32 N.C.x 3/8	2	
5	66819	Switch	1	
6	66807	Insulation	2	
7	66450	Assy., Pump-Oil	1	
	66453	Cap, Oil Reservoir	1	
8	66141	Tubing, Oil Pump (Plastic)	1	
9	66490	Fitting, Barbed	1	
10	66475	Manifold, Outside	1	
11	F832516	Screw, Flat HD.- #8-32 N.C.x 5/16	1	
12	66012	Hanger	1	
13	66017	Clip, Hanger	1	
14	WIT8	Washer, Internal Tooth - #8	1	
15	NH832	Nut, Hex - #8-32 N.C.	1	
16	66808	Cord, Set	1	
17	SC142034	Screw, Soc.Cap 1/4-20 N.C.x 3/4	2	
	WC14	Washer, Compression - 1/4	2	
18	66988	Motor Lead - 3 wire SJO	1	
19	66073	Strain Relief	1	
20	66815	Stand, Thread	1	
21	66805	Nut, Wing - 1/4-20 N.C.	1	
22	66804	Bolt, Thread Clamping	1	
23	P3481	Grip, Cord	1	
24	66950	Motor, 115 V	1	
	66951	Motor, 230 V	1	
25	66902	Pulley, Motor	1	
26	66906	Assy., Hinge - Motor Mount (Complete)	1	
	P632716S	Screw, Sems- Pan HD.- #6-32 N.C.x 7/16	2	
27	SF103238	Screw, Soc.Flat 10-32 N.F.x 3/8	10	
28	66927	Plate, Ball Bearing (Closed)	1	
	66916	Screw, End Plate	4	
29	66953	Washer, Felt - Retaining (Closed End)	1	
30	66954	Washer, Spacing	as reqd	

31	66955	Bearing, Ball	2	
32	66977	Plug, Inspection Hole	1	
33	66917	Screw, Cap - Brush Holder	2	
34	66983	Holder, Brush - 1/2	2	
	66930	Screw, Set - Brush Holder	2	
35	66957	End Bell, Brush End	1	
	66919	Screw, Attaching End Bell	4	
36	66916	Spring, Brush	2	
37	66915	Brush	2	
38	66959	Armature, Complete 115 V	1	
	66960	Armature, Complete 230 V	1	
39	66925	Assy., Ring & Field - 115 V	1	
	66926	Assy., Ring & Field - 230 V	1	
40	66922	Field - 115 V	1	
	66923	Field - 230 V		
41	66962	Washer, Ball Bearing Spring	1	
42	66963	End Bell - Shaft End	1	
	66919	Screw, Attaching - End Bell	4	
43	66964	Washer, Felt - Retaining (Open End)	1	
44	66965	Washer, Felt	1	
45	66966	Plate, Ball Bearing (Open End)	1	
	66918	Screw, End Plate	4	
46	66485	Weldment, Manifold - Inside	1	
47	66489	Tubing, Plastic	1	
48	66478	Ring "O"	1	
49	66479	Ring "O"	1	
50	66472	Spring, Garter	4	
51	B83212	Screw, Binding HD.- #8-32 N.C.x 1/2	1	
52	R832114	Screw, Round HD.- #8-32 N.C.x 1-1/4	1	
53	76000	Wirenut	2	