

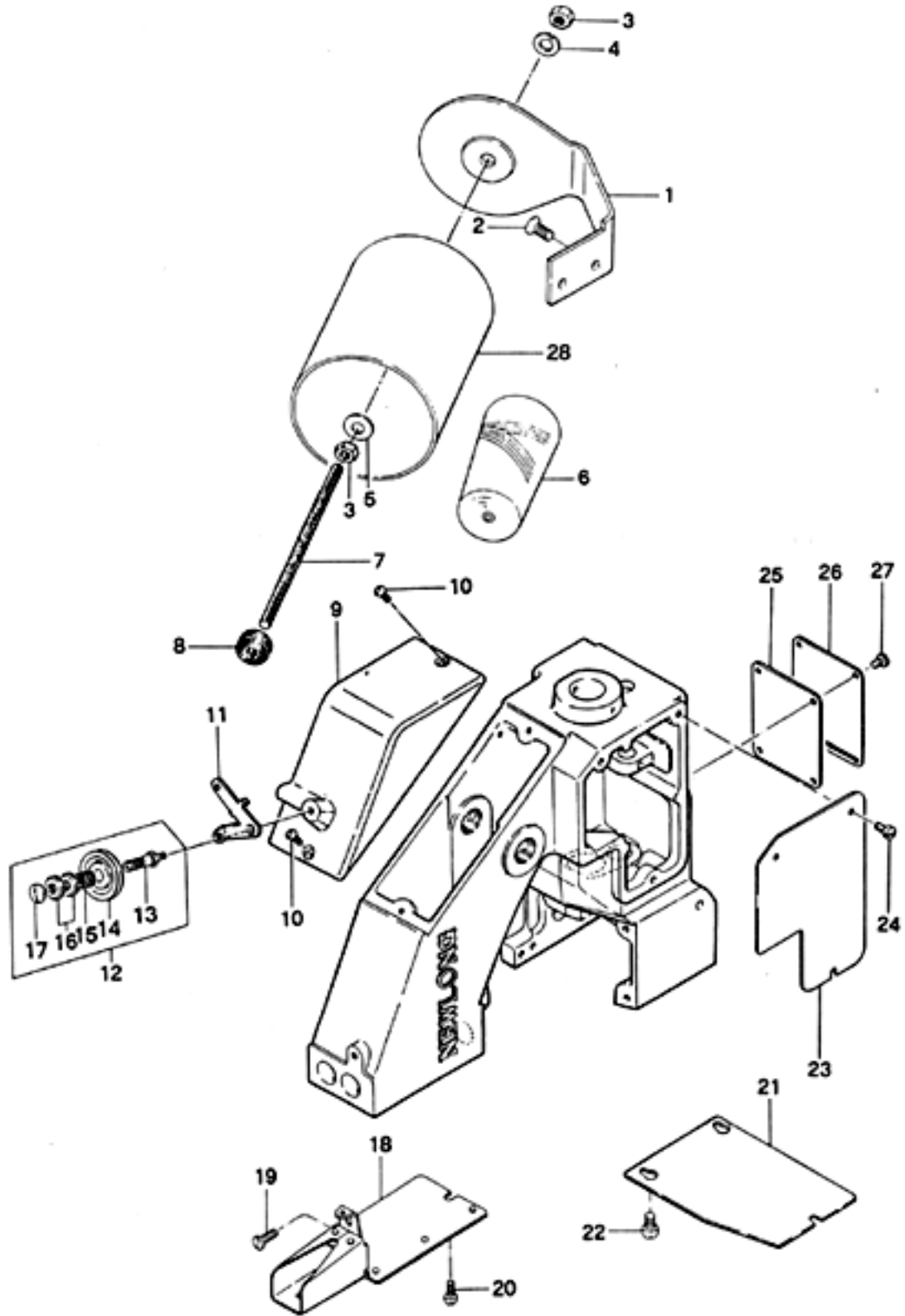
### Ordering Parts

- Description of each part and its stamp number is described in this parts list. Screws and nuts for parts are shown adjacent to the relevant parts. When ordering parts, describe clearly stamp number with its name of part.
- The parts which have no Ref. Number can not be delivered independently; always order it as an assembly.
- A set of assembled parts is represented by the stamp number of its main parts.
- The last figure on the parts stamp number advances on each improvement of the parts.
- Parts No. described in [] of Remarks means old parts no.

The parts list is subject to change without prior notice.

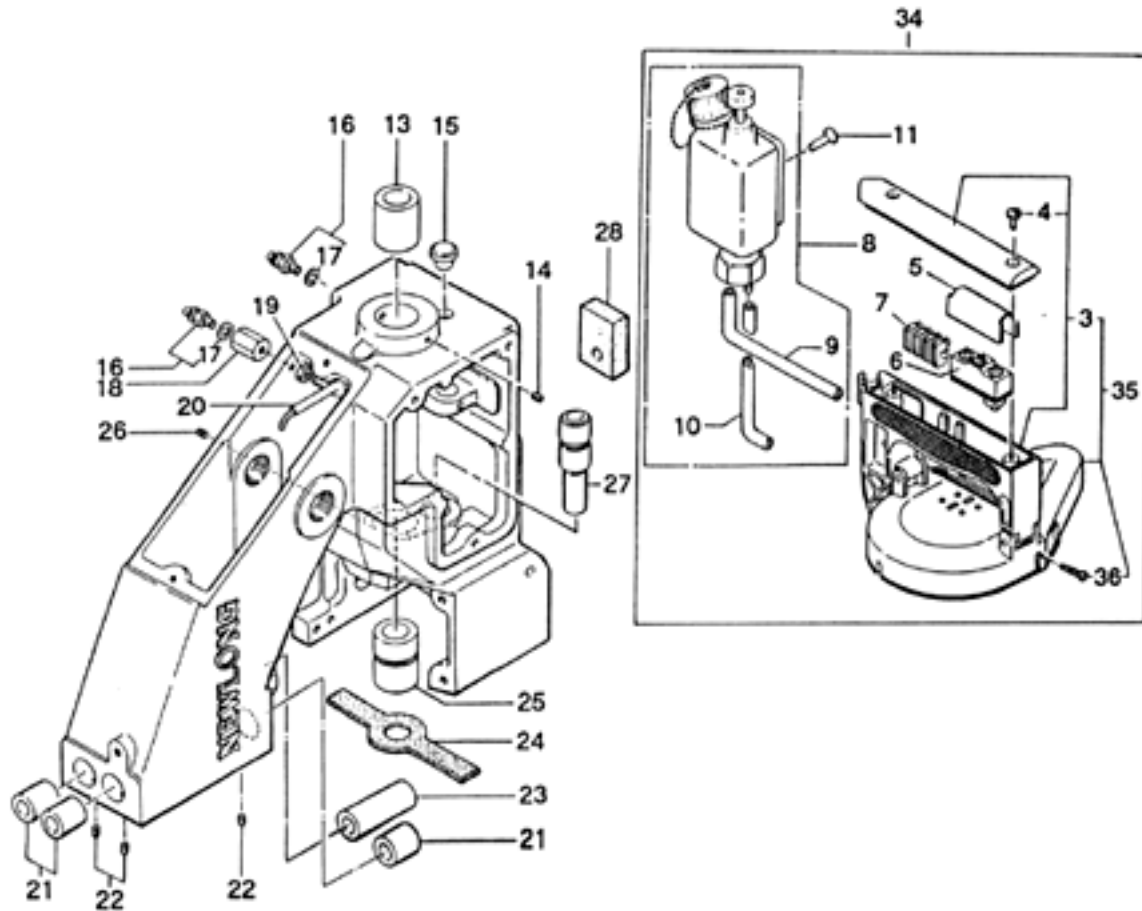
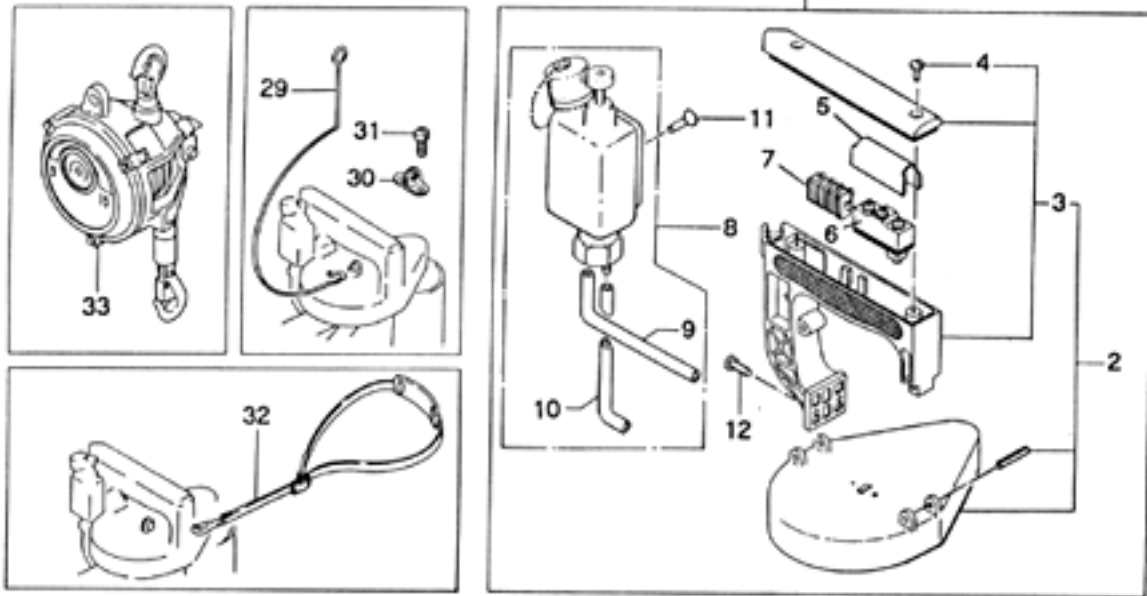
### Parts List Content

1. Threads Tension and Cover Parts .....	2
2. Bushing, Oiling and Handle Parts .....	4
3. Needle Bar, Pressure Bar and Driving Parts .....	6
4. Looper Driving Parts .....	8
5. Feed Driving and Thread Cutter Parts .....	10
6. Motor (for totally enclosed type Motor) .....	12
7. Special Parts for NP-7H type .....	14
8. Crepe Tape Binding and Cutter Parts (Special Order Parts).....	16
9. Diagram of Screw, Nut & Washer .....	19

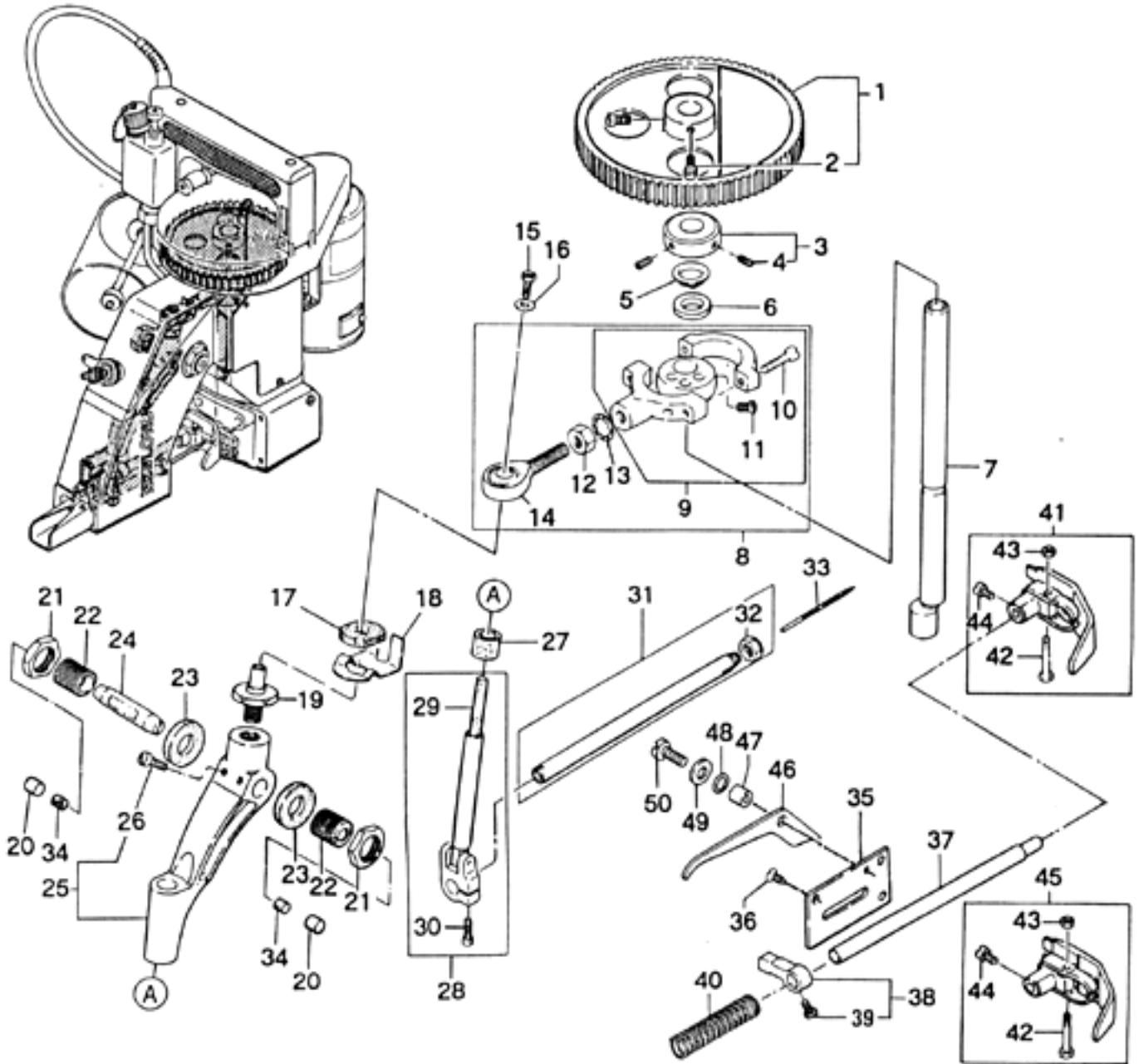


## Thread Tension and Cover Parts

Ref. No.	Part No.	Description	Q'ty	Remarks
1	245042	Thread Stand	1	
2	15/64S28028	Screw, for 245042	2	
3	1N6	Nut	2	
4	3W6	Spring Washer	1	
5	2W6	Washer	1	
6	K01001	Thread	1	
7	245052	Thread Cone Clamping Rod	1	
8	245201	Thread Cone Clamping Nut	1	
9	245014	Top Cover	1	
10	9/64S40005	Screw, for 245014	2	
11	245551	Thread Eyelet	1	
12	245081A	Thread Tension Assembly	1	(13~17)
13	245081	Tension Post	1	
14	065261	Tension Disc	2	
15	245101	Tension Spring	1	
16	245091	Tension Nut	2	
17	9/64S40011	Screw, for 245081A	1	
18	245033	Needle Bar Guard	1	
19	11/64S40005	Screw, for 245033	1	
20	9/64S40065	Screw, for 245033	2	
21	245222	Looper Cover	1	
22	9/64S40065	Screw, for 245222	3	
23	245022	Slide Plate	1	
24	9/64S40005	Screw, for 245022	3	
25	245481	Gasket	1	
26	245302	Inside Cover	1	
27	9/64S40005	Screw, for 245302	4	
28	245181	Thread Cone Cover	(1)	Special Order

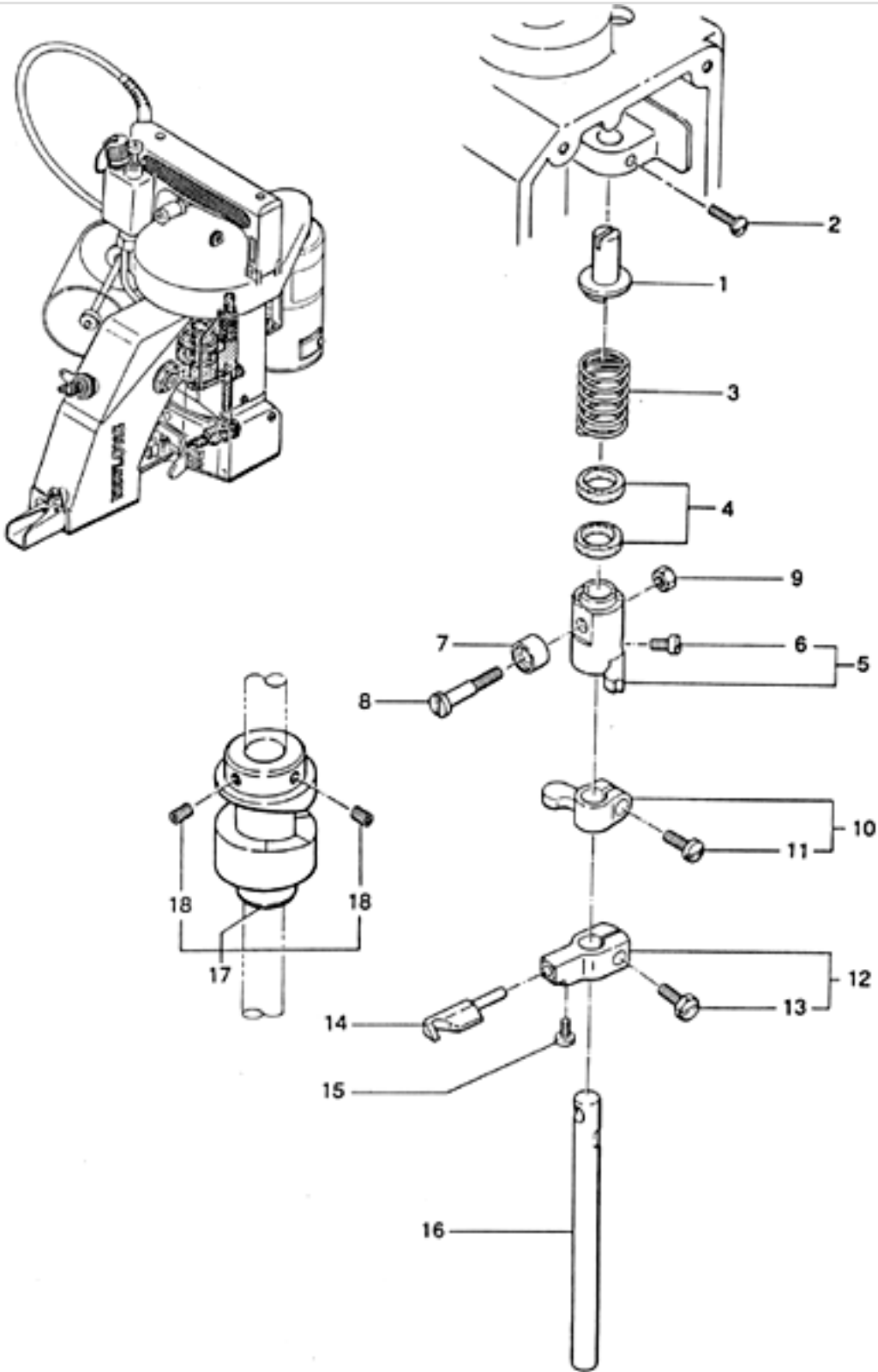


Ref. No.	Part No.	Description	Q'ty	Remarks
1	241024AS	Handle Assembly	1	2,5~11
2	241024A	Handle Assembly	1	(3,4)
3	241024	Handle	1	(4)
4	9/64S40011	Screw, for 241024A	2	
5	245132	Micro Switch Cover	1	
6	C02001C02006	Micro Switch (Z-15GK655-B)Micro Switch (X-10GD-B)	11	For DC Motor
7	C05008	Flexible Terminal Block (ML-SK-1,4P)	1	
8	D03003	Oiler	1	(9,10)
9	8FU2-6x90F	Oil Tube, with oil felt	1	
10	8FU2-6x60F	Oil Tube, with oil felt	1	
11	6S5x15	Screw, for D03003	1	
12	15/64S28021	Screw, for 241024A	2	
13	241122	Main Shaft Bushing, rear	1	
14	9/64S40502	Screw, for 241122	1	
15	065401	Rubber Bushing	1	
16	D07021	Joint (BN-5-6)	2	(17)
17	E03014	Washer	2	
18	245471	Joint	1	
19	1N4	Nut	1	
20	245461	Oil Pipe	1	
21	242212	Bushing for Presser Bar & Needle Bar, upper	3	
22	9/64S40504	Screw, for 242212	3	
23	242222	Presser Bar Bushing, lower	1	
24	245541	Oil Felt	1	
25	241111	Main Shaft Bushing, lower	1	
26	9/64S40502	Screw, for 241111	1	
27	243021	Looper Rock Shaft Bushing	1	
28	245162	Oil Felt	1	
29	245271	Hanger	(1)	Special Order
30	241151	Hook	(1)	
31	1/8S40006	Screw, for 241151	(2)	
32	245171	Shoulder Belt	(1)	
33	MW-6.5	Spring Balancer	(1)	
34	241024BS	Handle Assembly (Safety type with pulley cover)	(1)	5~11,35
35	241024B	Handle Assembly (Safety type with pulley cover)	(1)	(3,4,36)
36	9S2.6x10	Screw, for 241024B	(1)	



**Needle Bar, Pressure Bar and Driving Parts**

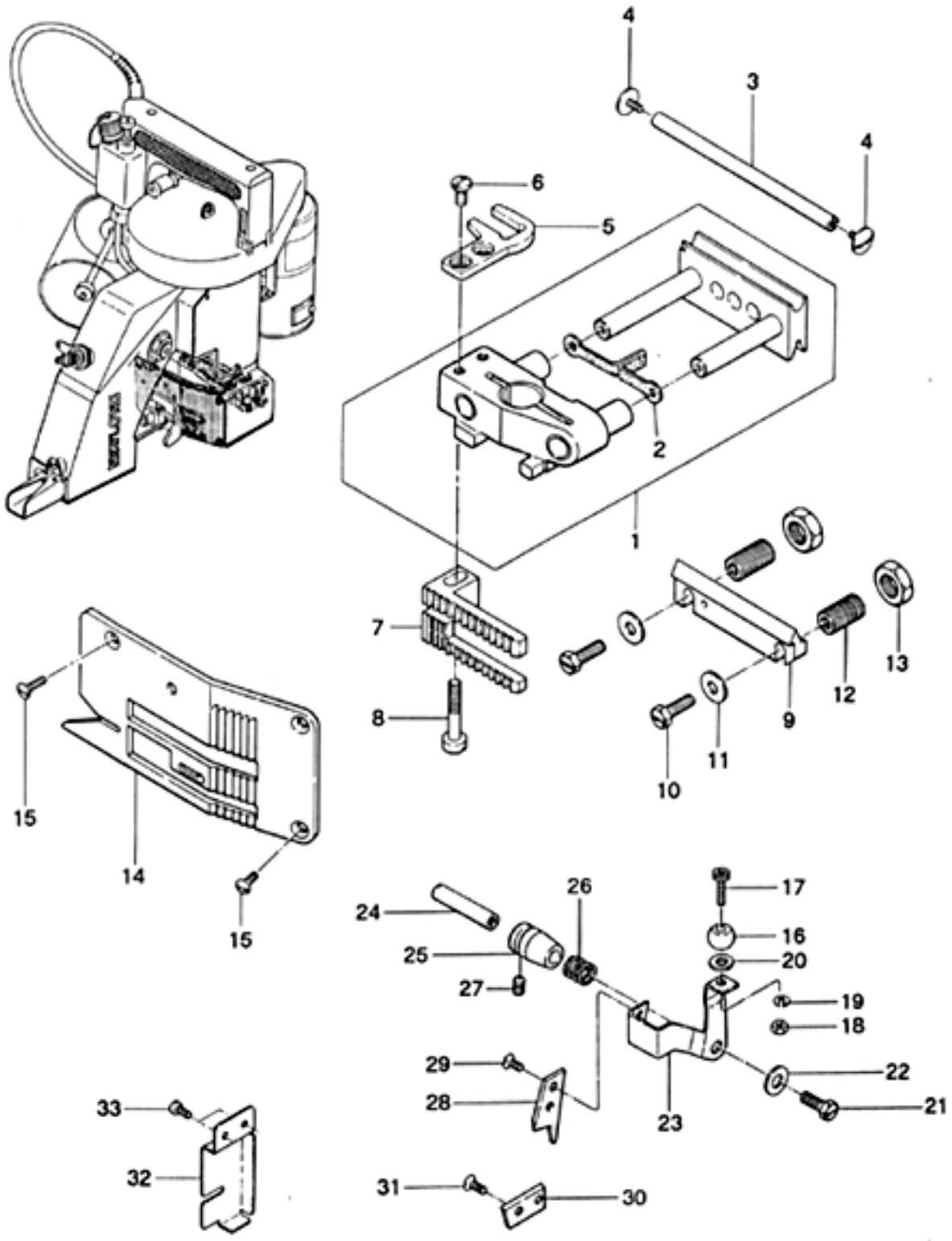
Ref. No.	Part No.	Description	Q'ty	Remarks
1	241092	Synchro Pulley	1	(2)
2	3/16S28001	Screw, for 241092	2	
3	241131	Retaining Collar	1	(4)
4	11/64S40502	Screw, for 241131	2	
5	241161	Spacer	1	
6	205131	Oil Felt	1	
7	241102	Main Shaft	1	
8	242011A	Connecting Rod Assembly	1	(9~ 14)
9	242011	Connecting Rod Sub-Assembly	1	(10,11)
10	3/16S28029	Screw, for connecting rod cap	2	
11	11/64S40001	Screw, for eccentric cam	2	
12	1N8	Nut, for 242011A	1	
13	5W8	Washer, for 242011A	1	
14	6A04001	Rod End (POS-8)	1	
15	11/64S40084	Screw, for 242031	1	
16	11/64W15103	Washer, for 242031	1	
17	245211	Oil Felt	1	
18	242041	Spring	1	
19	242031	Rod End Stud	1	
20	245491	Cap	2	
21	5/8N18101	Nut, for 242081	2	
22	242081	Adjusting Stud	2	
23	245231	Oil Felt	2	
24	242071	Needle Bar Lever Stud	1	
25	242051A	Needle Bar Lever Assembly	1	(26)
26	11/64S40004	Screw, for 242051A	2	
27	245371	Oil Felt	1	
28	242101A	Needle Bar Connection Assembly	1	(29,30)
29	205171	Oil Felt	1	
30	11/64S40003	Screw, for 242101A	1	
31	242121A	Needle Bar with Nut	1	(32)
32	242131	Needle Clamp Nut	1	
33	B01002	Needle (DN x 1#25)	1	
34	065561	Oil Felt	2	
35	242172	Presser Foot Lifter Base	1	
36	11/64S40002	Screw, for 242172	3	
37	242201	Presser Bar	1	
38	242181	Presser Bar Connection	1	(39)
39	11/64S40003	Screw, for 242181	1	
40	242191	Presser Spring	1	
41	242231A	Presser Foot Assembly	1	(42~ 44)
42	9/64S40055	Screw	1	
43	9/64N40101	Nut	1	
44	11/64S40005	Screw, for 242231A, 242233A	1	
45	242233A	Presser Foot Assembly (for Net Bag)	(1)	(42~ 44)
46	242161	Presser Foot Lifter	(1)	
47	242271	Collar	(1)	
48	31LP6	"O" Ring	(1)	Special Order For Presser Bar Lifter
49	11/64W15103	Washer	(1)	
50	11/64S40009	Screw, for 242161	(1)	



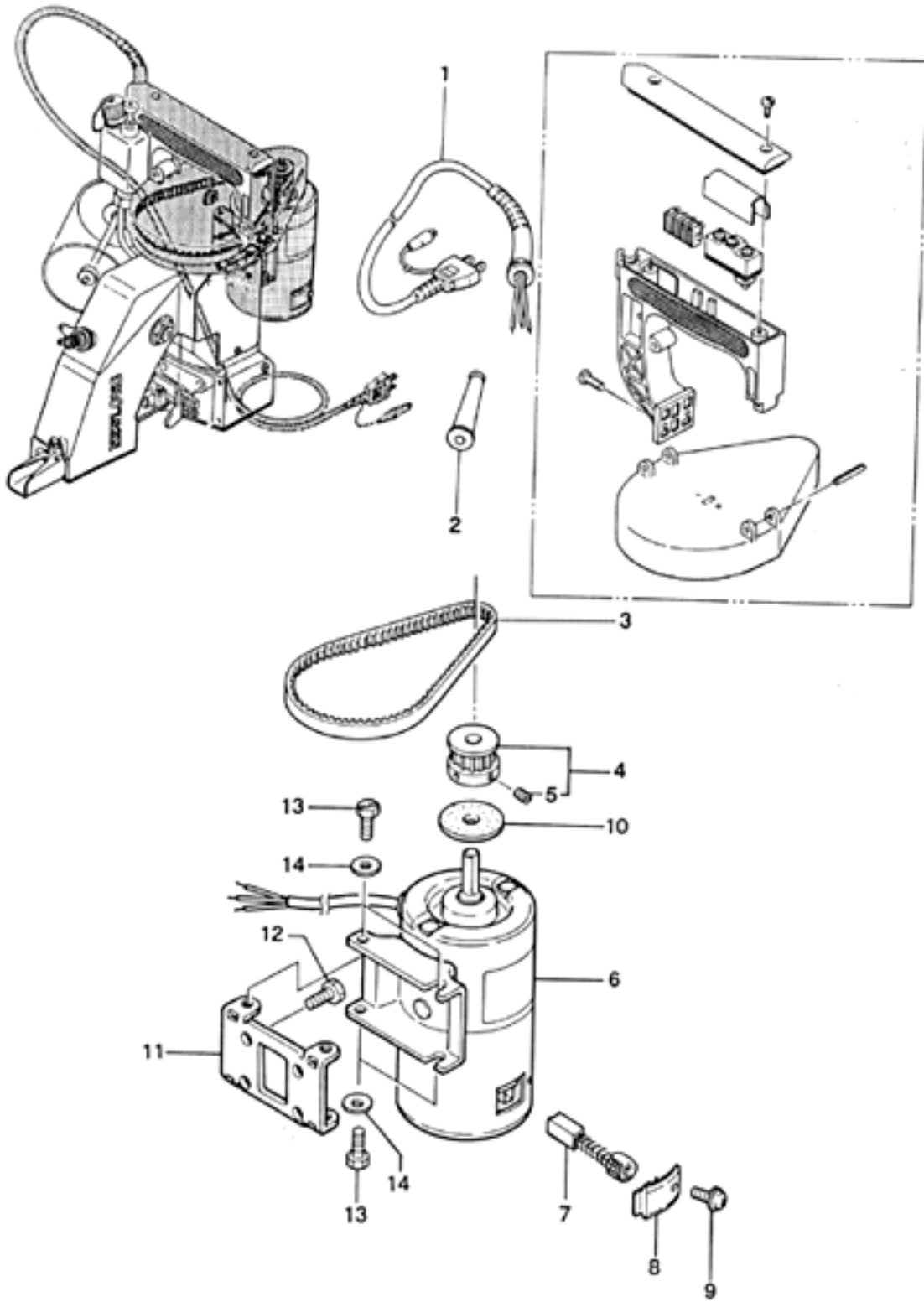


**Looper Driving Parts**

<b>Ref. No.</b>	<b>Part No.</b>	<b>Description</b>	<b>Q'ty</b>	<b>Remarks</b>
1	243121	Spring Supporter	1	
2	11/64S40003	Screw, for 243121	1	
3	243131	Spring	1	
4	205131	Oil Felt	2	
5	243071	Looper Rocker Shaft Arm (A)	1	(6)
6	11/64S40002	Screw, for 243071	1	
7	243041	Roller	1	
8	243061	Roller Stud Screw	1	
9	11/64N40201	Nut, for 243061	1	
10	243081	Looper Rocker Shaft Arm (B)	1	(11)
11	11/64S40009	Screw, for 243081	1	
12	243092	Looper Rocker	1	(13)
13	11/64S40089	Screw, for 243092	1	
14	243102	Looper	1	
15	9/64S40001	Screw, for 243102	1	
16	243032	Looper Rocker Shaft	1	
17	243012	Looper Drive Cam	1	(18)
18	15/64S28524	Screw, for 243012	2	

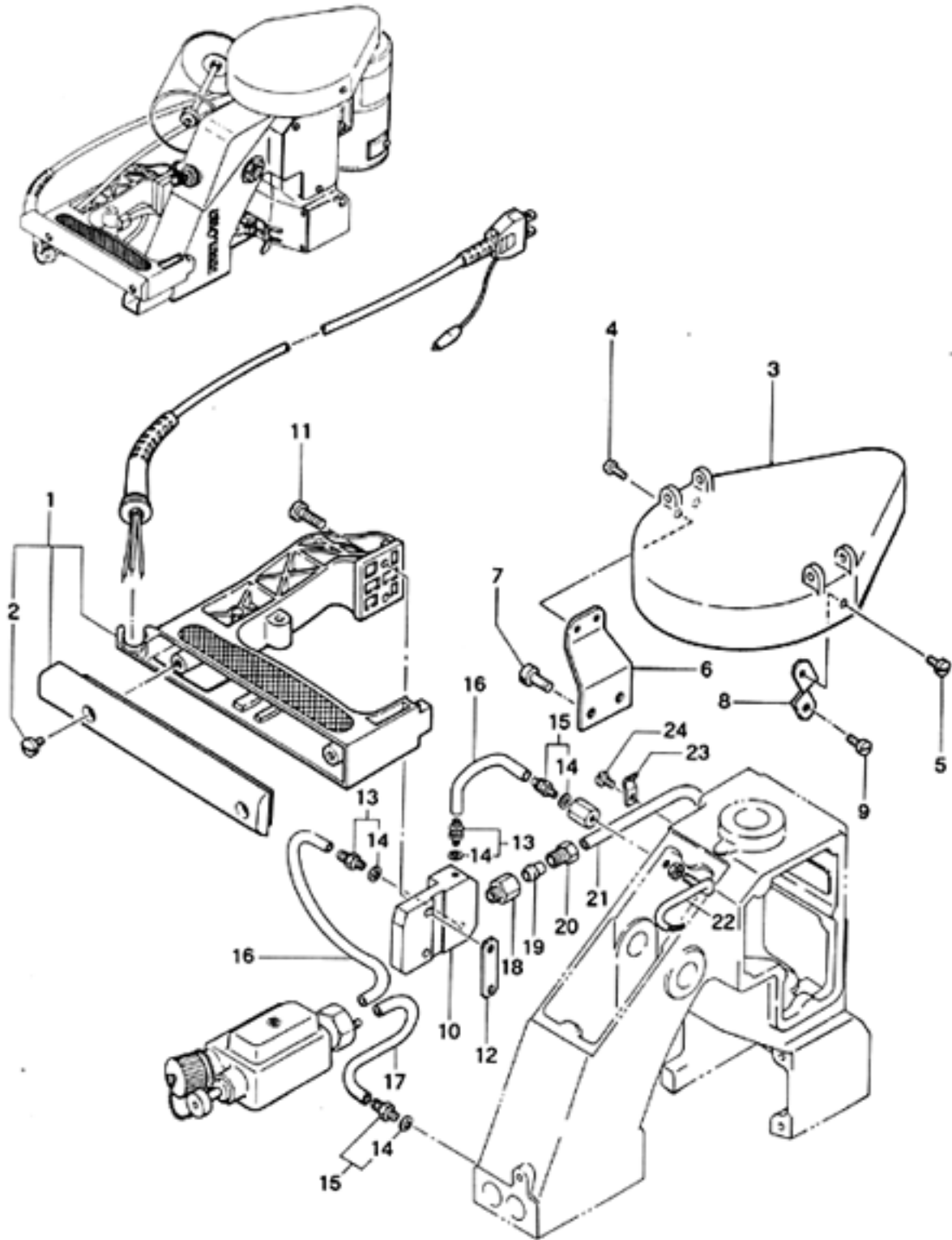


Ref. No.	Part No.	Description	Q'ty	Remarks
1	244011A	Feed Dog Carrier Block Assembly	1	(2)
2	245391	Oil Felt	1	
3	244102	Slide Block Guide Stud	1	
4	9/64S40011	Screw, for 244102	2	
5	246011	Knife Bracket Extension	1	
6	3/16S32031	Screw, for 246011	2	
7	244111	Feed Dog	1	
8	3/16S32034	Screw, for 244111	1	
9	244081	Slide Block Adjusting	1	
10	3/16S32025	Lock Bolt, for 244091	2	
11	11/64W15103	Washer, for 244091	2	
12	244091	Stud Slide Block Adjusting Support	2	
13	3/8N24201	Lock Nut, for 244091	2	
14	244122	Throat Plate	1	
15	9/64S40043	Screw, for 244122	3	
16	246081	Ball	1	
17	4B3x12	Bolt, for 246081 (M3x0.5x12l)	1	
18	1N3	Nut, for 246081 (M3x0.5)	1	
19	3W3	Spring Lock Washer(M3)	1	
20	1W3	Washer, for 246081 (M3)	1	
21	11/64S40049	Screw, for 246021	1	
22	11/64W15103	Washer, for 246021	1	
23	246021	Knife Bracket	1	
24	246032	Knife Bracket Pin	1	
25	246042	Bushing, for 246032	1	
26	246051	Knife Tension Spring	1	
27	9/64S40502	Screw, for 246042	1	
28	246061	Knife Moving	1	
29	1/8S40003	Screw, for 246061	2	
30	246071	Knife Stationary	1	
31	1/8S40003	Screw, for 246071	2	
32	245561	Knife Cover	1	Special Order
33	1/8S40006	Screw, for 245561	2	

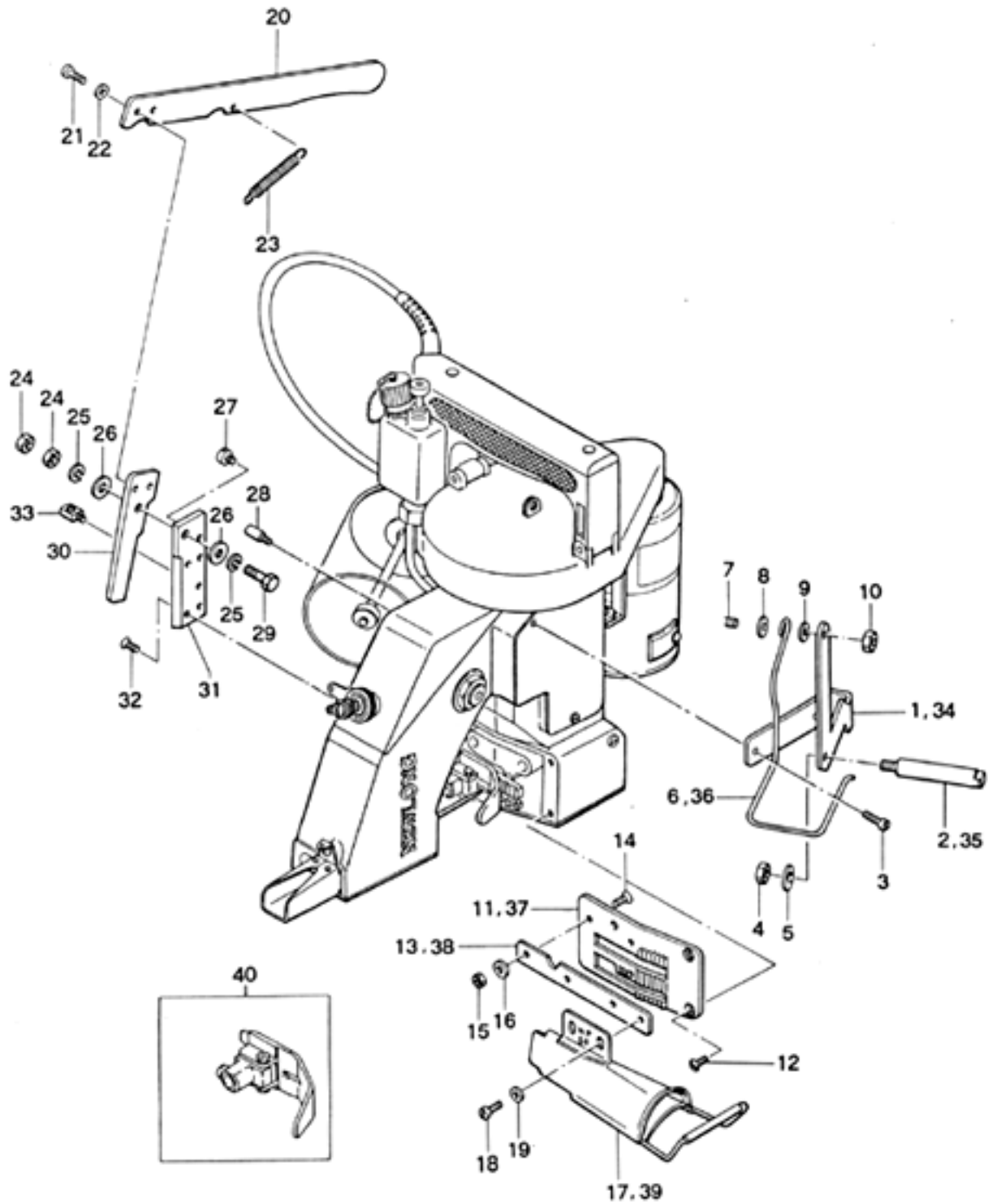


**Motor Parts (for Totally Enclosed Type Motor)**

Ref. No.	Part No.	Description	Q'ty	Remarks
1	C04001	Cabtyer Cord, with Plug(Standard Type)	1	
	C04003	Cabtyer Cord, with Plug(American Type)	1	
	C04004	Cabtyer Cord, with Plug(British Type)	1	
	C04005	Cabtyer Cord, with Plug(German Type)	1	
	C04006	Cabtyer Cord, with Plug(French Type)	1	
	C04007	Cabtyer Cord, with Plug(Australian Type)	1	
	C04009	Cabtyer Cord, with Plug(for DC Motor)	1	
2	211151	Rubber Bushing (for C04003-C04007)	1	
3	F01001	Timing Belt	1	
4	241083	Motor Pulley	1	(5)
5	11/64S40504	Screw, for 241083	2	
6	C01028	Universal Motor (220V-90W)	1	(7~ 10)
	C01029	Universal Motor (240V-90W)	1	(7~ 10)
	C01030	Universal Motor (110V-90W)	1	(7~ 10)
7	C08004	Carbon Brush, for AC Motor	2	
	C08005	Carbon Brush, for DC Motor	2	
8	C07003	Cap	2	
9	4S3x6-W	Screw	2	
10	C07005	Rubber Ring	1	
11	241073	Motor Base B	1	
12	15/64S28004	Screw, for 241073	4	
13	11/64S40091	Screw for Motor	4	
14	11/64W10101	Washer, for Motor	4	



Ref. No.	Part No.	Description	Q'ty	Remarks
1	241024	Handle	1	(2)
2	9/64S40011	Screw	2	
3	241212	Pulley Cover	1	
4	9/64S40004	Screw, for 241053	2	
5	9/64S40052	Screw, for 241053	1	
6	241242	Pulley Cover Holder A	1	
7	15/64S28004	Screw, for 241242	2	
8	241231	Pulley Cover Holder B	1	
9	9/64S40005	Screw, for 241231	1	
10	241223	Handle Base	1	
11	15/64S28032	Screw, for 241253	2	
12	241253	Handle Base Holder	1	
13	D07021	Joint (BN-5-6)	2	(14)
14	E03014	Washer	4	
15	D07021	Joint (BN-5-6)	2	(14)
16	8FU2-6x95F	Oil Tube (f 6X95l), with Oil felt	2	
17	8FU2-6x70F	Oil Tube (f 6X70l), with Oil felt	1	
18	D07022	Joint	1	
19	D07023	Compression Sleeve	1	
20	D07024	Compression Bushing	1	
21	8FN2-4x135K	Oil Tube (f 4X135l), with oil wick	1	
22	245462	Oil Pipe	1	
23	D07009	Tube Clip (PC-4-1)	1	
24	9/64S40005	Screw, for D07009	1	





## Crepe Tape Binding and Cutter Parts (Special Order Parts)

Ref. No.	Part No.	Description	Q'ty	Remarks
1	247071	Crepe Tape Bracket	1	
2	247091	Crepe Type Hanger Stud	1	
3	9/64S40035	Screw, for 247071	2	
4	1N6	Nut, for 247091 (M6)	1	
5	2W6	Washer, for 247091 (M6)	1	
6	247081	Crepe Tape Supporter	1	
7	11/64S40015	Screw, for 247071	1	
8	1/4W03205	Spring Washer, for 247071	1	
9	1/4W15105	Washer, for 247071	1	
10	11/64N40203	Nut, for 247071	1	
11	244132	Throat Plate	1	
12	9/64S40043	Screw, for 244132	3	
13	247051	Holder, for crepe tape binder	1	
14	9/64S40043	Screw, for 247051	2	
15	9/64N40101	Nut, for 247051	2	
16	2W4	Washer, for 247051 (M4)	2	
17	247061	Crepe Tape Binder	1	
18	9/64S40054	Screw, for 247061	2	
19	2W4	Washer for 247061 (M4)	2	
20	247031	Cutter lever	1	
21	11/64S40046	Screw, for 247011	2	
22	11/64W10101	Washer, for 247011	2	
23	247041	Screw, for 247031	1	
24	15/64/N28206	Nut, for 247021	2	
25	3W6	Spring Lock Washer, for 247021, (M6)	2	
26	2W6	Washer, for 247021 (M6)	2	
27	11/64S40029	Stopper Screw, for 247011	1	
28	3/16S32026	Stopper Screw, for 247031	1	
29	247021	Hinge Pin	1	
30	247011	Knife, Moving	1	
31	247001	Knife, Stationary	1	

32	1/8S40003	Screw, for 247001	4	
33	183261	Spring Hook	1	
34	247073	Crepe Tape Bracket	(1)	For Crepe Tape width 70mm
35	247092	Crepe Tape Hanger Stud	(1)	
36	247082	Crepe Tape Supporter	(1)	
37	244133	Throat Plate	(1)	
38	247052	Holder, for crepe tape binder	(1)	
39	247063	Crepe tape Binder	(1)	
40	242261A	Presser Foot Assembly	(1)	

