

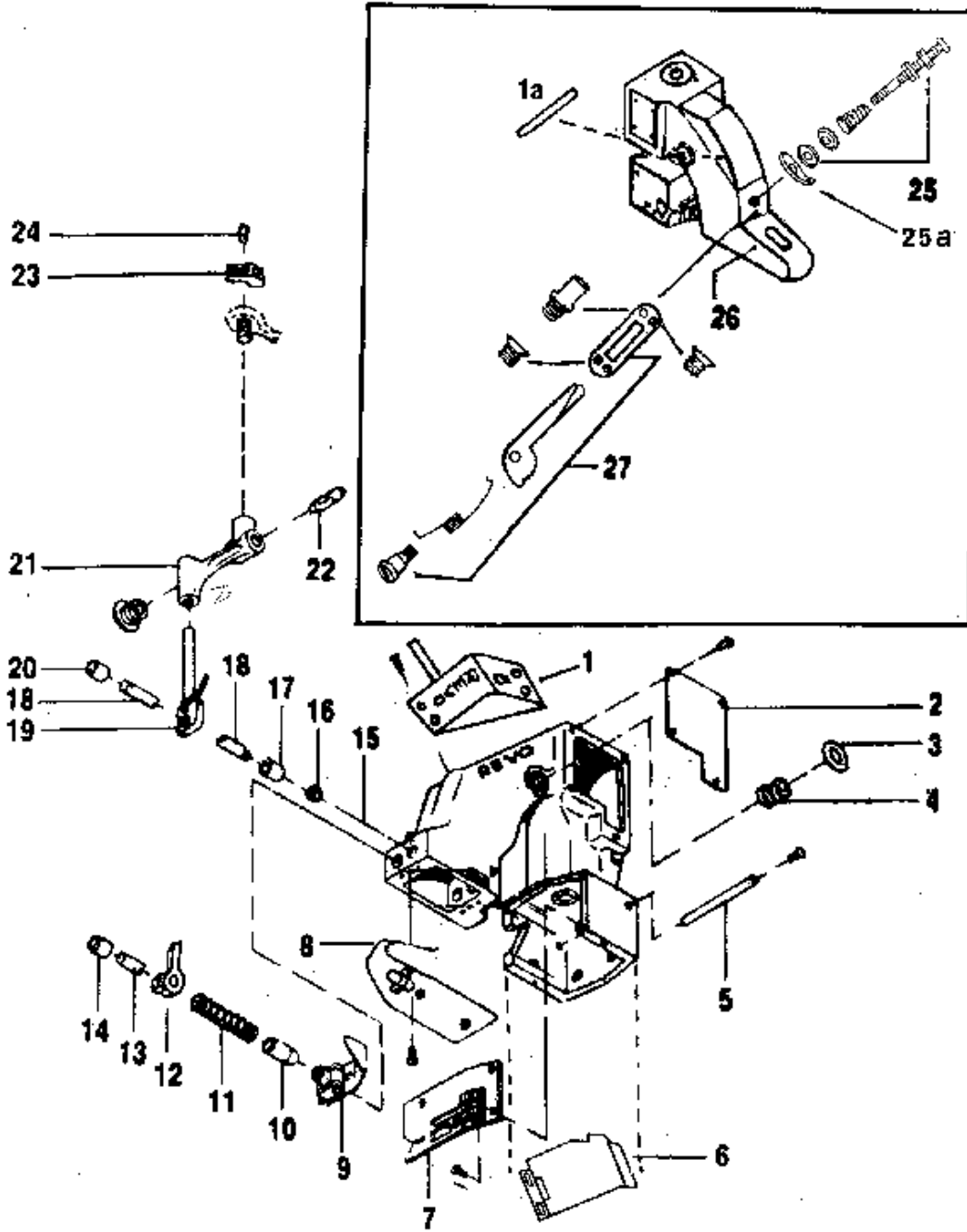
Ordering Parts

- While ordering for parts, try to send old worn-out parts as samples. This will help us in serving you better & quicker.
- While ordering for screws mention description in complete. Example: F64038 - Screw attaching D-210 & D-210. It is better to order for a complete screw set which includes all types of screws fitted onto the Bag Closer (Please specify model of the Machine while ordering).
- While ordering for screws please specify whether the screw is ordinary or Allen Key type.
- TMany parts design have changed hence while ordering please mention description in full.

The parts list is subject to change without prior notice.

Parts List Content

| | |
|----------------------------|---|
| 1. Reference Plate A | 2 |
| 2. Reference Plate B | 5 |
| 3. Reference Plate C | 7 |

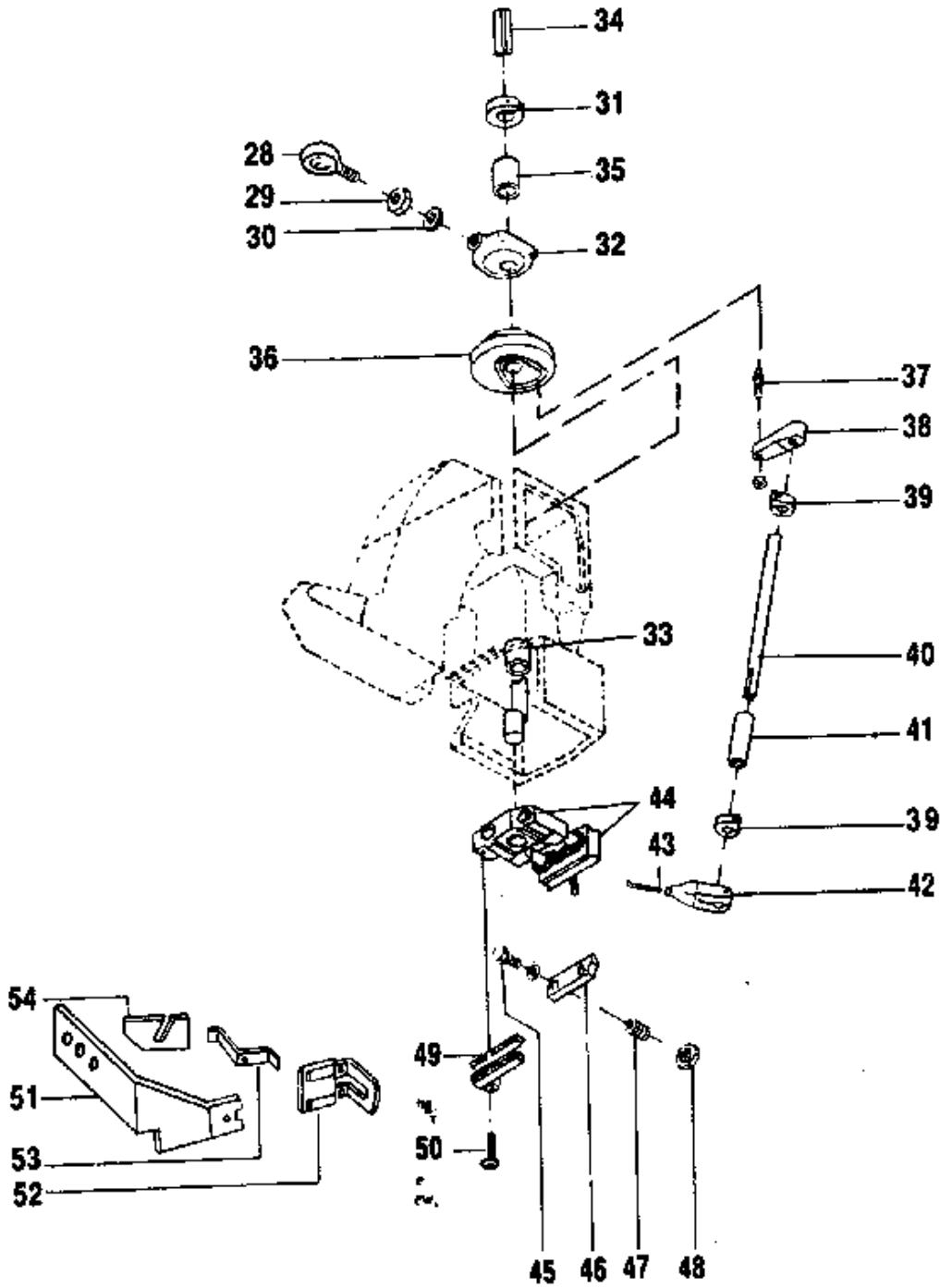


Reference Plate A - Order by Part Number

| Index# | Part# | Description | Quantity |
|--------|------------|--|----------|
| 1. | S100 | Housing, complete with Bushings and Spares | 1 |
| | SS83216B | Screw, for all Bushings | 8 |
| | D121 | Oiler | 5 |
| 2. | D119 | Top Cover | 1 |
| | D120 | L-Shape Thread Guide Rod fitted on D-119 | 1 |
| | 0632516 | Screw, Attaching, D119 | 4 |
| 3. | D103 | Cover Side Nameplate | 1 |
| | B8323165 | Screw, Attaching D103 | 4 |
| 4. | D513 | Lock Ring | 2 |
| 5. | D512 | Bearing, Cone | 2 |
| 6. | D214 | Stud, feed Dog Carrier Slide | 1 |
| | SB103214 | Screw, Attaching, for D214 | 2 |
| 7. | D102 | Cover for Looper (Please specify whether Hinges type or ordinary type) | 1 |
| | D108 | Screw, Attaching, for D102 | 2 |
| 8. | D210 | Throat Plate | 1 |
| | D210T | Throat Plate, (For Crepe Paper Taping attach.) | 1 |
| | F64038 | Screw, Attaching, for D210 and D210T | 3 |
| 9. | D101 | Guard, Needle Bar (Send diagram or broken | 1 |
| | B832316 | Screw, Attaching, for D101 sample while ordering) | |
| 10. | D110 | Tube, Thread Guide, Front (Part for old version of Model D) | 1 |
| | SS54018 | Screw, Set, for D110 | 1 |
| 11. | D111 | Plate, Thread Guide (Part for older version of Model D) | 1 |
| | F348316 | Screw, Attaching D111 | 2 |
| 12. | D400 | Pressure Foot Complete | 1 |
| | D400T | Pressure Foot Complete (For Crepe Paper Taping Attach.) | |
| | SS832316FP | Allen Screws for Pressure Foot, | 2 |
| | D400LS | Pressure foot lifter set comp. (No Diagram) | 1 |
| 13. | D413 | Pressure Bar, Lower Brushing | 1 |
| 14. | D414 | Pressure Bar Spring | 1 |
| 15. | D405 | Pressure Bar Clamp Complete (Please Mention Machine Colour & Sr. No.) | 1 |
| | SC54012PB | Allen Screw, Clamping, D405 | 2 |
| 16. | D404 | Pressure Bar | 1 |
| 17. | D412 | Brushing, Pressure Bar, Upper | 1 |
| 18. | D407 | Lifter Lever, Complete (Parts for older version of 'D' model) | 1 |
| 19. | SF14281116 | Screw, Attaching, D407 | 1 |
| 20. | D410 | Washer, Felt (Part for older version of Model 'D') | 1 |
| 21. | D411 | Locknut (Part for older version of Model 'D') | 1 |
| 22. | N5 | Needle | 1 |
| 23. | D501 | Locknut for Needle | 1 |
| 24. | D504 | Needle Bar, Lower Bushing | 1 |
| 25. | D502 | Needle Bar, Clamp Complete | 1 |

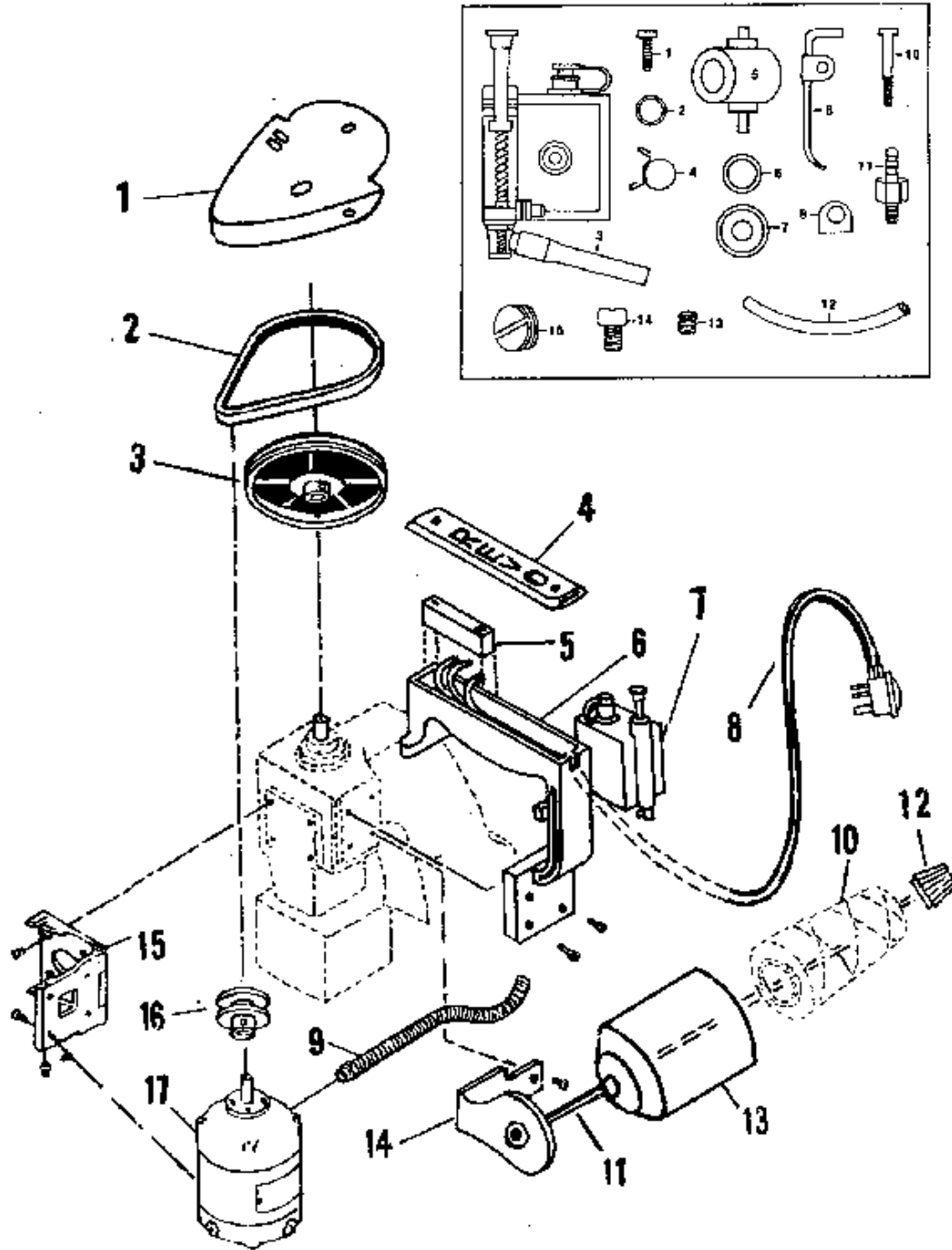
Reference Plate A - Order by Part Number

| Index# | Part# | Description | Quantity |
|--------|-----------|---|----------|
| | SC54012NB | Allen Screw, Clamping, for D502 | 1 |
| 26. | D500 | Needle Bar | 1 |
| 27. | D503 | Needle Bar, Upper Bushing | 1 |
| 28. | D505 | Lever, Needle Bar Clamp | 1 |
| | SS83238 | Screw for D505 | 2 |
| 29. | D511 | Stud, Needle Bar Clamp Lever | 1 |
| 32. | D507 | Ball Stud, Connecting Rod End | 1 |
| | D508 | Nut for D507 Ball Stud | |
| 33. | H103212E | Top Screws for Retaining D607 & D605 (Please Specify for which part) (Do not refer Diagram) | 2 |
| 34. | D208 | U-type guide (Fitted on the back- side of D-607, D605 Comp.) | 1 |
| 35. | H103212G | Bolt Retaining For D208 U- Type Guide | 1 |
| 36-42. | D113/117 | Tension Assembly comp. (In new models tension Assembly fitted on the top instead of the backside) (Consists of top screw, Tension Nut, Tension Spring, Tension Discs & Tension Stud.) | 1 |
| | D-267 | Tension thread Guide Base plate fitted under the tension Assembly comp. (D-113/117) | 1 |
| 43. | D109 | Eyelet | 1 |
| 44. | D118 | Tube, Thread Guide, Rear (Part for old version of Model D) | 1 |
| | B632316 | Screw Attaching, for D118 | 2 |
| 45. | D109 | Eyelet (Fitted on the top in latest Models) | 1 |



Reference Plate B - Order by Part Number

| Index # | Part # | Description | Quantity |
|---------|-----------|--|----------|
| 46. | D607 | Bearing, Rod End (Index Nos. 46, 47, 48 & 50) | 1 |
| 47. | D608 | Locknut for D607 to be | 1 |
| 48. | D609 | Lockerwasher ordered as one Complete Set | 1 |
| 49. | D603 | Collar, Retaining for D600 | 1 |
| | SC54038C | Screw, Clamping for D603 | 2 |
| 50. | D605 | Connecting Rod and Eccentric, Complete | 1 |
| | D606 | Screw, Cone Point for D605 | 1 |
| | SS1032316 | Allen Screw for D605 | 1 |
| 51. | D602 | Main Shaft, Front Bushing | 1 |
| 52. | D600 | Main Shaft | 1 |
| 53. | D601 | Main Shaft, Rear Bushing | 1 |
| 54. | D310 | Cam, Looper, Complete | 1 |
| | D311 | Screw, Cone Point, for D310 | 1 |
| | SS103258 | Screw, Set for D310 | 1 |
| 55. | D308 | Stud of Cam Follower (Order comp. Set D307, D308, D309) | 1 |
| | D309 | Locknut, for D308 | 1 |
| 56. | D307 | Arm of Cam Follower | 1 |
| | SC54012CF | Small Allen Screw for D307 | 1 |
| | SC54013CF | Big Allen Screw for D307 | 1 |
| 57. | D304 | Collar for Looper Shaft | 2 |
| | SC34838 | Screw Clamping D304 | 2 |
| 58. | D303 | Looper Shaft | 1 |
| 59. | D306 | Bushing for D303 | 1 |
| 60. | D301 | Looper Holder | 1 |
| | SS832316I | Allen Screw for tightening Looper | 1 |
| | SC54038H | Allen Screw, Clamping, D301 | 1 |
| 61. | D300 | Looper | 1 |
| 62. | D200 | Feed Dog Carrier Block and Slide, Complete | 1 |
| | HD64038 | Screw for adjusting Feed Dog height | 2 |
| 63. | H103212S | Lock Bolt (Fitted on to the Slide) | 2 |
| 64. | D205 | Slide for carrier Block | 1 |
| 65. | D206 | Stud, Slide Block Adjusting Support | 2 |
| 66. | D209 | Locknut for D206 | 2 |
| 67. | D203 | Feed Dog | 1 |
| | D203T | Feed Dog (For crepe paper Taping Attach.) | |
| 68. | D204 | Screw, Attaching for D203 | 1 |
| 69. | D701 | Knife Bracket | 1 |
| | H1032516 | Screw for knife Bracket (D 701) Fitted onto the under side of D200 | 2 |
| 70. | D702 | Moving knife (Fitted on to D701) | 1 |
| 71. | D704 | Supporting Spring Patti | 1 |
| | H1035216 | Screw attaching D-704 Spring Patti | 1 |
| 72. | D703 | Stationary Knife (Fitted under D210) | 1 |



Reference Plate C - Order by Part Number

| Index# | Part# | Description | Quantity |
|--------|-------------|--|----------|
| 1. | D105 | Belt Guard | 1 |
| | R83258 | Screw, Attaching for D105 | 3 |
| 2. | D909T/D909V | Belt (Timing of V type, please specify) | 1 |
| 3. | D904T/D904V | Machine Pulley, (Timing or V-Belt type, please specify) | 1 |
| | SS1032516 | Screw, for D904 | 2 |
| 4. | D802 | Cover for Switch (Fitted onto the Handle) | 1 |
| | 063212 | Screw, Attaching, D802 (Mention whether plastic or Aluminum Handle) | 3/2 |
| 5. | D807 | Insulation Paper | 1 |
| 6. | D806 | Switch (specify whether Micro Switch or Round type) | 1 |
| | D814 | Screw for Switch Terminal. | 3 |
| 7. | D800P | Plastic Handle, Complete With Cover | 1 |
| | D800A | Aluminum Handle Comp. With Cover | 1 |
| | SC142034 | Allen Screw, Attaching, for D800 (Please mention size normal or long.) | 4 |
| 8. | D808 | Wiring Comp. With 3 pin plug | 1 |
| 10. | D809 | Clamp for D808 (Fixed inside the handle) | 1 |
| 11. | D913-2 | Flexible for Motor Wire (Please send old sample to check threading prior to dispatch) | 1 |
| | D936 | Locknut for D913-2 | 1 |
| 13. | D804 | Bolt for Clamping Thread Cone (D804 & D805) | 1 |
| 14. | D805 | Wing Nut Round knurled Nut to be ordered jointly | 1 |
| 15. | D815 | Thread Stand | 1 |
| | SF103238 | Screw, Attaching for D815 | 1 |
| | D816 | Plastic Tumbler to hold Thread Cone (No Diagram) | 2 |
| 16. | D906 | Hinges for Mounting Motor | 1 |
| | D908 | Screw for side Locking of D906 | 2 |
| | SF103238 | Screw, Attaching for D906 | 4 |
| 17. | D902T/D902V | Motor Pulley Please specify Timing or V Belt type & Armature shaft thickness in mm. | 1 |
| | SS832316MP | Screw for D902 | 2 |
| 18. | D900 | Motor, 115 volt | 1 |
| | D901 | Motor, 230 volt | 1 |
| | SF103238 | Screw attaching for Motor | 4 |
| 19. | D1-143 | Carbon Brush (specify Round or Square) | 2 |
| 20. | D4-104 | Carbon Brush Holder (Specify) (Carbon Brush Shape) | 2 |
| 21. | D4-103 | Carbon Brush Holder Cap (Specify Carbon Brush Shape) | 2 |
| 22. | D4-109 | Motor Armature (220V) (Please send us old sample while ordering) (Mention Carbon brush shape & also mention length and Armature Shaft thickness in mm. while ordering) | 1 |