

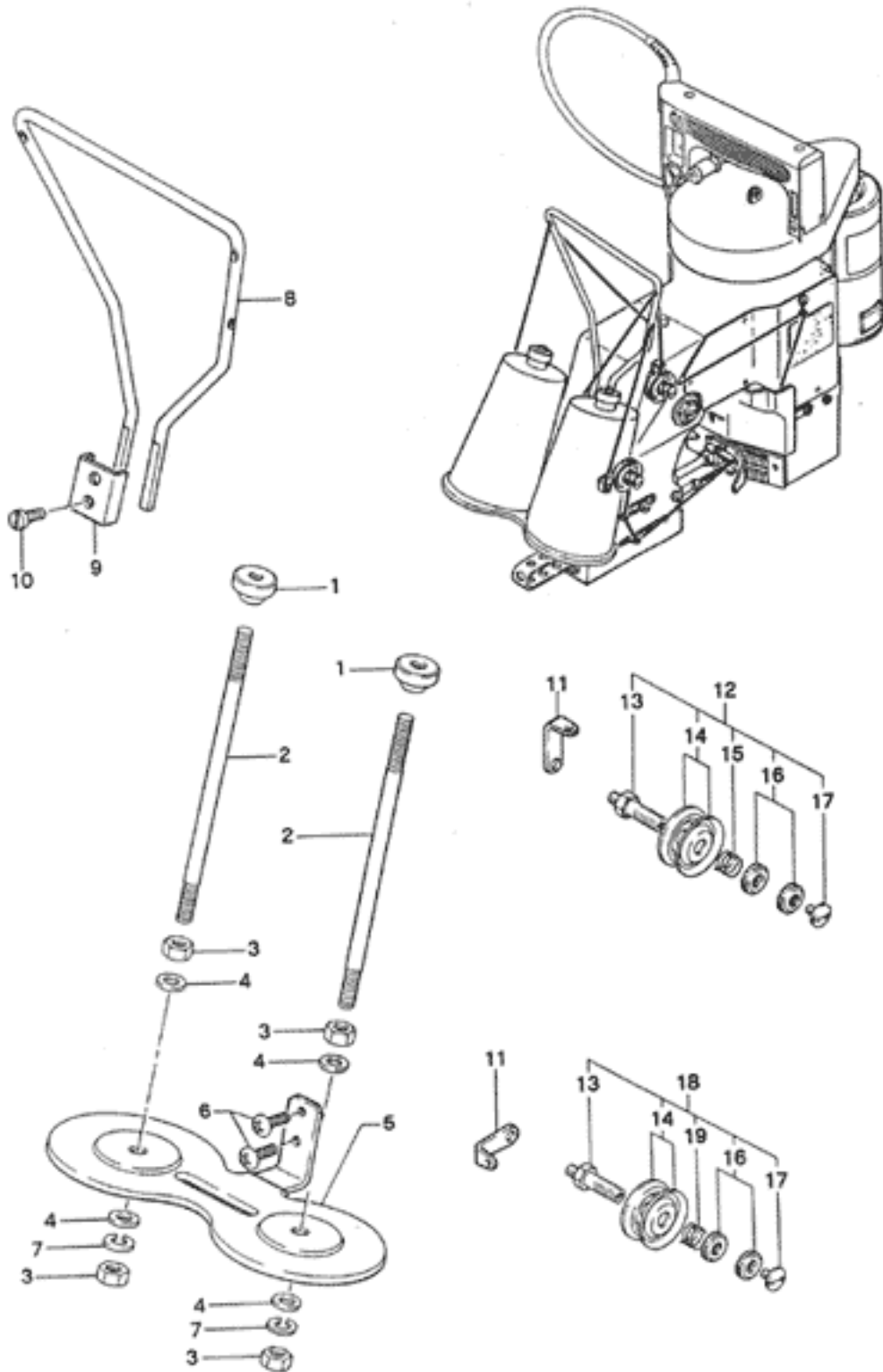
### Ordering Parts

- Description of each part and its stamp number is described in this parts list. Screws and nuts for parts are shown adjacent to the relevant parts. When ordering parts, describe clearly stamp number with its name of part.
- The parts which have no Ref. Number can not be delivered independently; always order it as an assembly.
- A set of assembled parts is represented by the stamp number of its main parts.
- The last figure on the parts stamp number advances on each improvement of the parts.
- Parts No. described in [] of Remarks means old parts no.

The parts list is subject to change without prior notice.

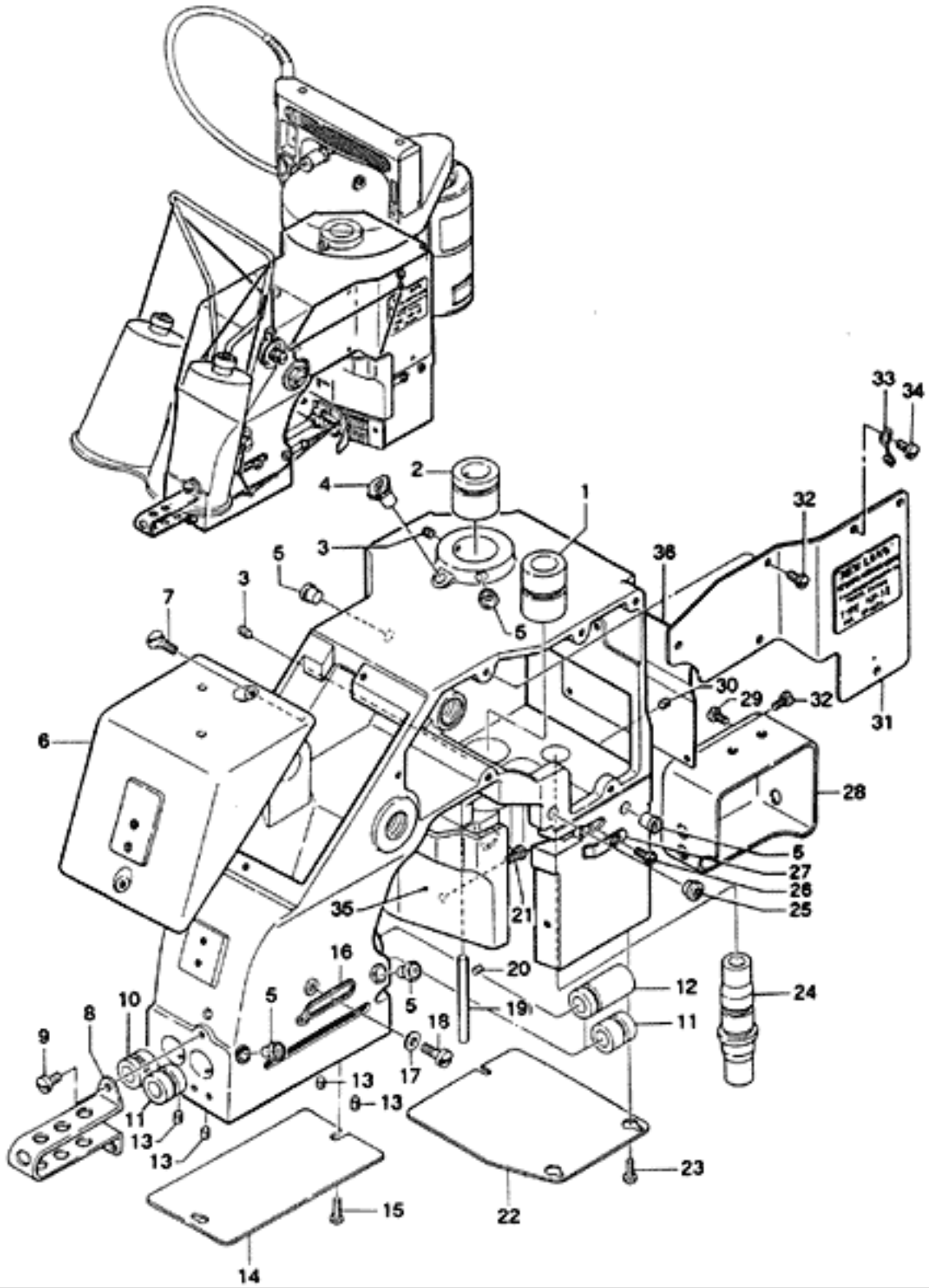
### Parts List Content

1. Threads Stand and Thread Tension Parts .....	2
2. Covers, Bushings and Oiling Parts .....	4
3. Needle Bar, Pressure Bar and Driving Parts .....	7
4. Looper Driving Parts .....	10
5. Feed Driving and Thread Cutter Parts .....	13
6. Motor, Switch and Handle Parts (for totally enclosed type Motor) .....	16
7. Special Order Parts .....	18
8. Diagram of Screw, Nut & Washer .....	20



## Thread Stand And Thread Tension Parts

Ref. No.	Part No.	Description	Q'ty	Remarks
1	245201	Thread Cone Clamping Nut	2	
2	245052	Thread Cone Clamping Rod	2	
3	1N6	Nut for 245052	4	
4	2W6	Washer for 245052	4	
5	205101	Thread Cone Stand	1	
6	10S4x12	Screw for 205101	2	
7	3W6	Lock Washer for 245052	2	
8	295041	Thread Guide	1	
9	295061	Thread Guide Holder	1	
10	11/64S40009	Screw for 295041	2	
11	245071	Thread Tension Eyelet	2	
12	245081B	Thread Tension Assembly for Looper	1	(13~ 17)
13	245081	Tension Post	2	
14	065261	Tension Disc	4	
15	205091	Tension Spring	1	
16	245091	Tension Nut	4	
17	9/64S40011	Screw for 245081	2	
18	245081A	Thread Tension Assembly for Needle	1	(13,14,16,17,19)
19	245101	Tension Spring	1	

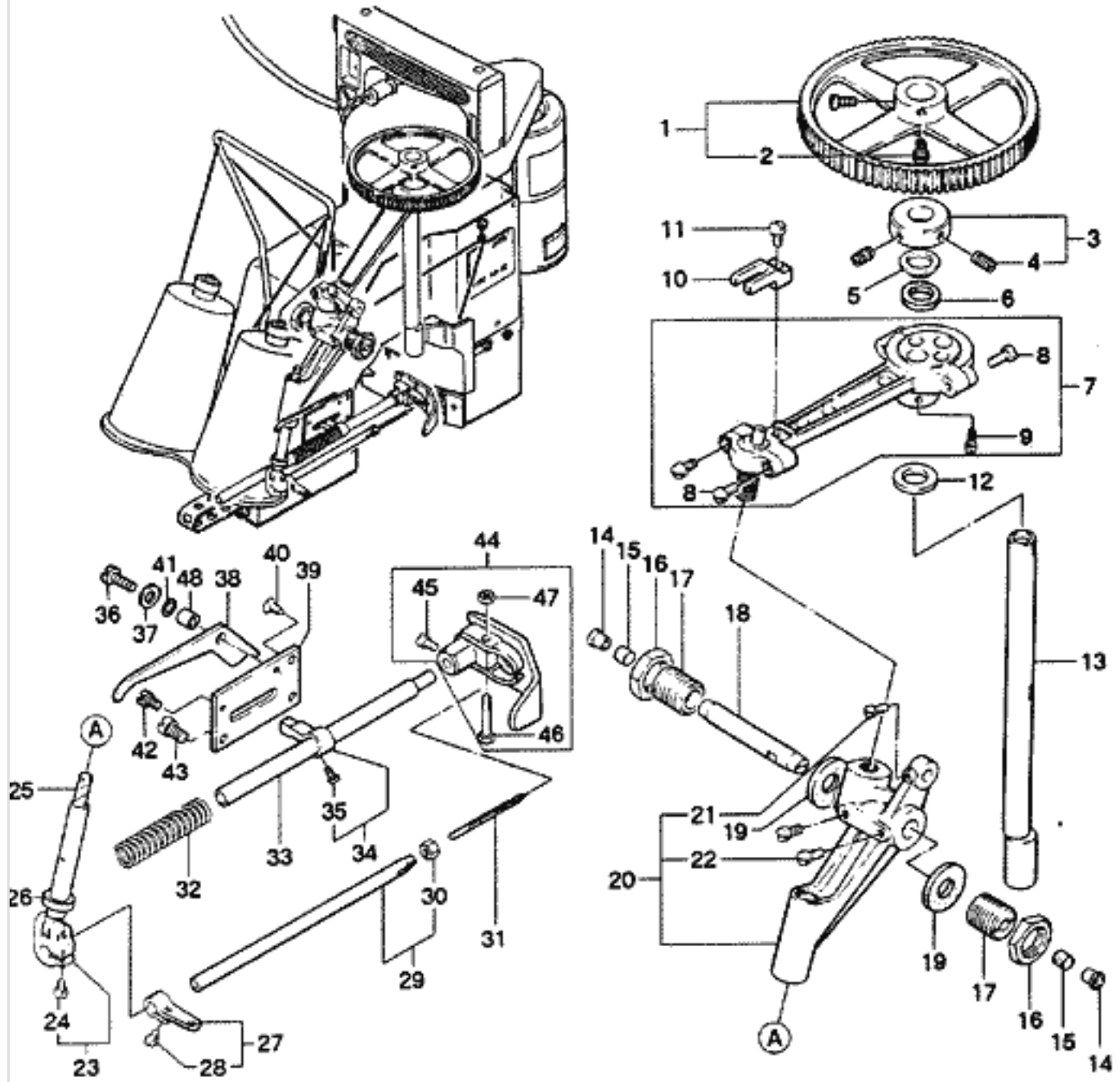


**Covers, Bushings, And Oiling Parts**

Ref. No.	Part No.	Description	Q'ty	Remarks
1	241111	Main Shaft Bushing, front	1	
2	241122	Main Shaft Bushing, rear	1	
3	9/64S40502	Screw for 241122, 241111	2	
4	D01003	Oil Cup	1	
5	D01001	Push Oil Cup	5	
6	205191	Top Cover	1	
7	11/64S40007	Screw for 205191	2	
8	202091	Needle Bar Guard	1	
9	9/64S40005	Screw for 202091	3	
10	242211	Presser Bar Bushing, upper	1	
11	202051	Needle Bar Bushing	2	
12	242221	Presser Bar Bushing, lower	1	
13	9/64S40502	Screw for 242211, 202051, 242221	4	
14	205021	Face Plate	1	
15	9/64S40065	Screw for 205021	2	
16	P5011	Thread Controller for Needle	1	
17	11/64W15103	Washer	1	
18	3/16S28002	Screw	1	
19	205011	Looper Cover Hinge Pin	1	
20	9/64S40501	Screw for 205011	1	
21	9/64S40058	Looper Cover Extension Lock Screw	1	
22	205032	End Cover	1	
23	9/64S40065	Screw for 205032	3	
24	203031	Looper Rocker Shaft Bushing	1	
25	P5161	Thread Guide Bushing for Looper	1	
26	9/64S40001	Looper Cover Extension Lock Screw	1	
27	P1091	Looper Cover Extension Lock Spring	2	
28	205071	Feed Rocker Cover	1	
29	9/64S40005	Screw for 205071	2	
30	9/64S40502	Screw for 203031	1	
31	205042	Side Cover	1	
32	9/64S40005	Screw for 205042, 205201	9	

33	P5031	Thread Guide Wire for Looper	1	
34	11/64S40005	Screw for P5031	1	
35	205002	Cover	1	
36	205201	Inside Cover	1	





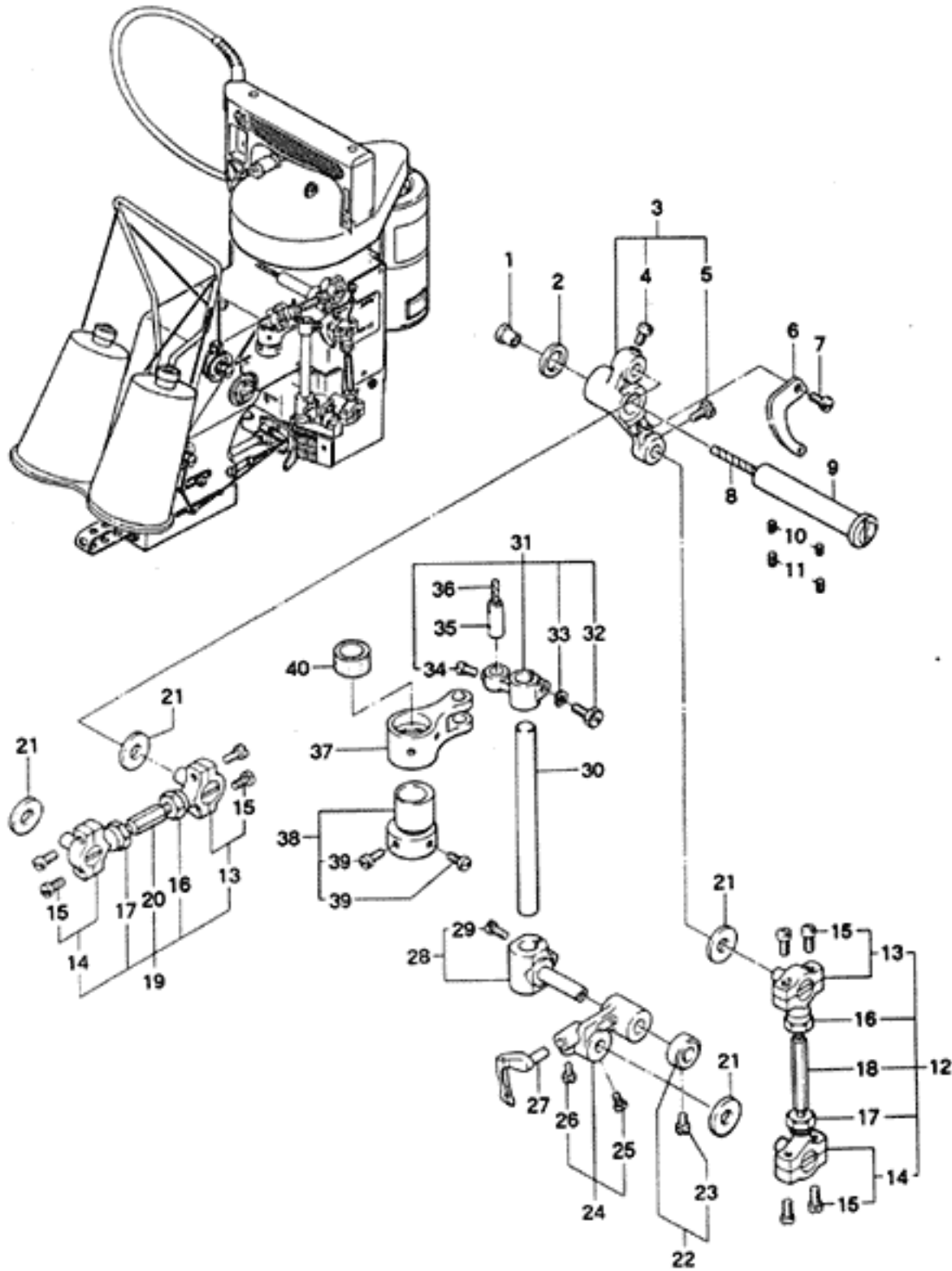
**Needle Bar, Presser Bar And Driving Parts**

Ref. No.	Part No.	Description	Q'ty	Remarks
1	241091	Synchro Pulley	1	(2)
2	3/16S28001	Screw for 241091	2	
3	241131	Retaining Collar	1	(4)
4	11/64S40501	Screw for 241131	2	
5	241161	Spacer	1	
6	205131	Oil Felt	1	
7	202001A	Needle Lever Connecting Rod Assembly	1	(8,9)
8	11/64S40090	Screw for Needle Lever Connecting Rod Cap	4	
9	11/64S40001	Screw for Eccentric Cam	2	
10	076062	Ball Stud Guide Fork	1	
11	9/64S40003	Screw for 076062	1	
12	205131	Oil Felt	1	
13	201011	Main Shaft	1	
14	D01001	Push Oil Cup	2	
15	245411	Oil Felt	2	
16	5/8N18101	Nut for 242081	2	
17	242081	Adjusting Stud	2	
18	202041	Needle Lever Stud	1	
19	245231	Oil Felt	2	
20	202033A	Needle Lever Assembly	1	(21,22)
21	11/64S40006	Screw for 013081B	1	
22	3/16S28005	Screw for 202033A	2	
23	202071A	Needle Bar Connection Assembly	1	(24)
24	11/64S40003	Screw for 202071A	1	
25	205171	Oil Felt	1	
26	245371	Oil Felt	1	
27	202081	Thread Take-Up for Needle	1	(28)
28	11/64S40002	Screw for 202081	1	
29	202061A	Needle Bar With Nut	1	(30)
30	P2412	Needle Lock Nut	1	
31	B01002	Needle(Dnx1#25)	1	
32	242191	Presser Foot Lifter	1	
33	202101	Presser Bar	1	
34	242181	Presser Bar Connection	1	(35)
35	11/64S40003	Screw for 242181	1	
36	11/64S40009	Screw for 242161	1	
37	1164W15103	Washer for 242161	1	
38	242161	Presser Foot Lifter	1	



39	242171	Presser Foot Lifter Base	1	
40	11/64S40007	Screw for 242171	2	
41	31LP6	"O" Ring	1	
42	9/64S40001	Presser Foot Lifter Stopper Screw	1	
43	11/64S40002	Screw for 242171	1	
44	202131A	Presser Foot Assembly	1	(45~47)
45	11/64S40005	Screw for Presser Foot Shank	1	
46	9/64S40055	Presser Foot Hinge Screw	1	
47	9/64N40101	Nut for Presser Foot Hinge	1	
48	242271	Collar	1	



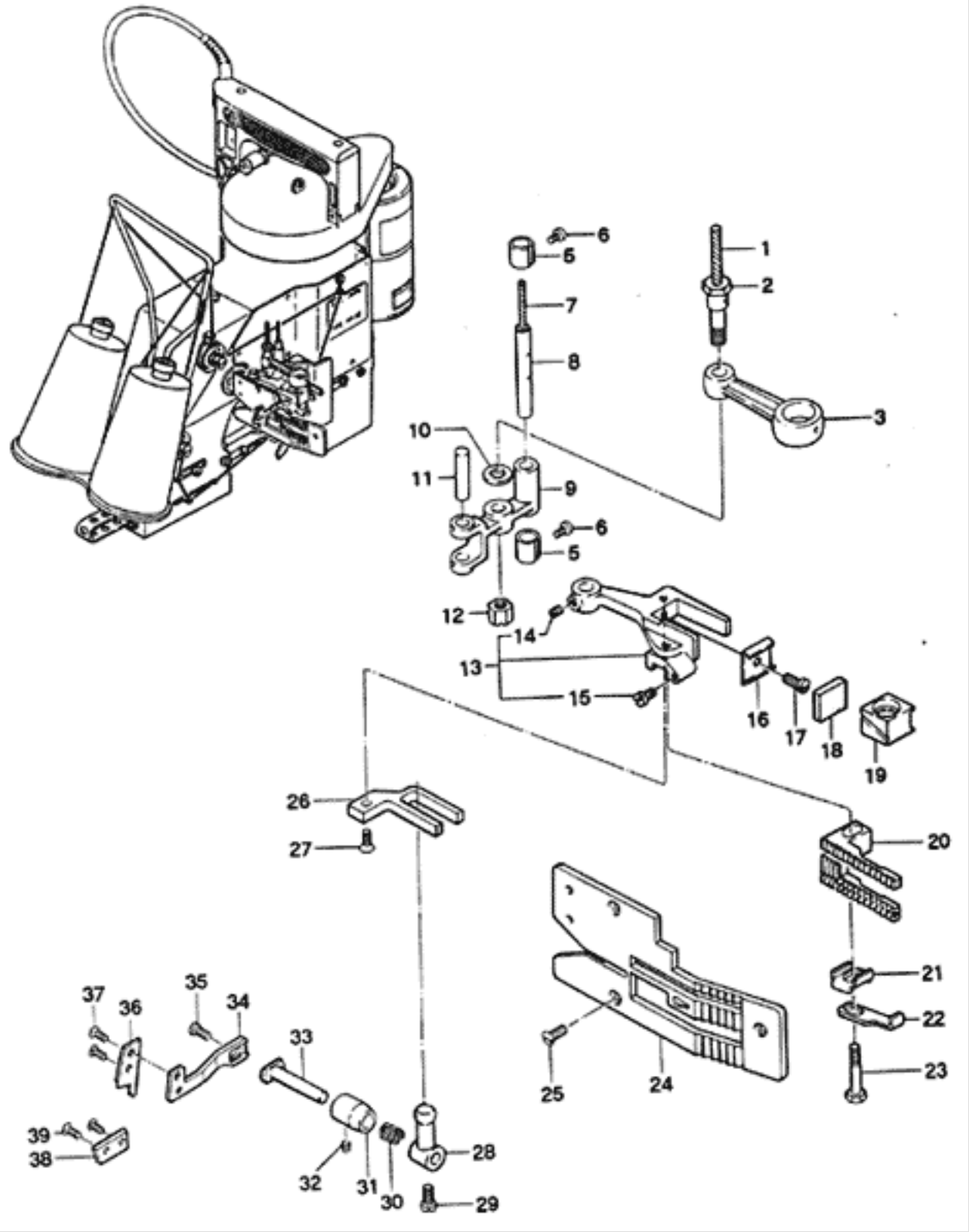


**Looper Driving Parts**

Ref. No.	Part No.	Description	Q'ty	Remarks
1	D01001	Push Oil Cup	1	
2	P3051	Spacer	1	
3	203091	Looper Bell Crank	1	(4,5)
4	11/64S40049	Screw for 013081B	1	
5	11/64S40049	Screw for 203121A	1	
6	203111	Thread Take-Up for Looper	1	
7	9/64S40004	Screw for 203111	1	
8	205171	Oil Felt	1	
9	203101	Looper Bell Crank Hinge Stud	1	
10	15/64S28522	Screw for 203101	2	
11	15/64S28511	Screw for 203101	2	
12	203121A	Ball Joint Rod Assembly	1	(13~ 18)
13	013042B	Ball Joint Assembly	2	(15)
14	013062A	Ball Joint Assembly	2	(15)
15	9/64S40061	Screw for Ball Joint	8	
16	11/64N40203L	Nut for Ball Joint Rod	2	
17	11/64N40203	Nut for Ball Joint Rod	2	
18	203121	Ball Joint Rod	1	
19	013081B	Ball Joint Rod Assembly	1	(13~ 17,20)
20	013081	Ball Joint Rod	1	
21	9/32W20108	Fiber	4	
22	203071	Looper Rocker Collar	1	(23)
23	11/64S40076	Screw for 203071	1	
24	203061	Looper Rocker	1	(25,26)
25	11/64S40002	Screw for 203121A	1	
26	11/64S40002	Screw for 203081	1	
27	203081	Looper	1	
28	203051	Looper Rocker Frame	1	(29)
29	11/64S40089	Screw for 203051	1	
30	203041	Looper Rocker Shaft	1	
31	203021	Looper Rocker Shaft Arm	1	(32~ 34)
32	11/64S40089	Screw for P2071	1	
33	11/64W10104	Washer for 203021	1	
34	11/64S40001	Screw for P2071	1	

35	P2071	Link Pin	1	
36	205141	Oil Felt	1	
37	203011	Looper Avoid Link	1	
38	203001	Looper Avoid Eccentric	1	(39)
39	11/64S40001	Screw for 203001	2	
40	205181	Oil Felt	1	



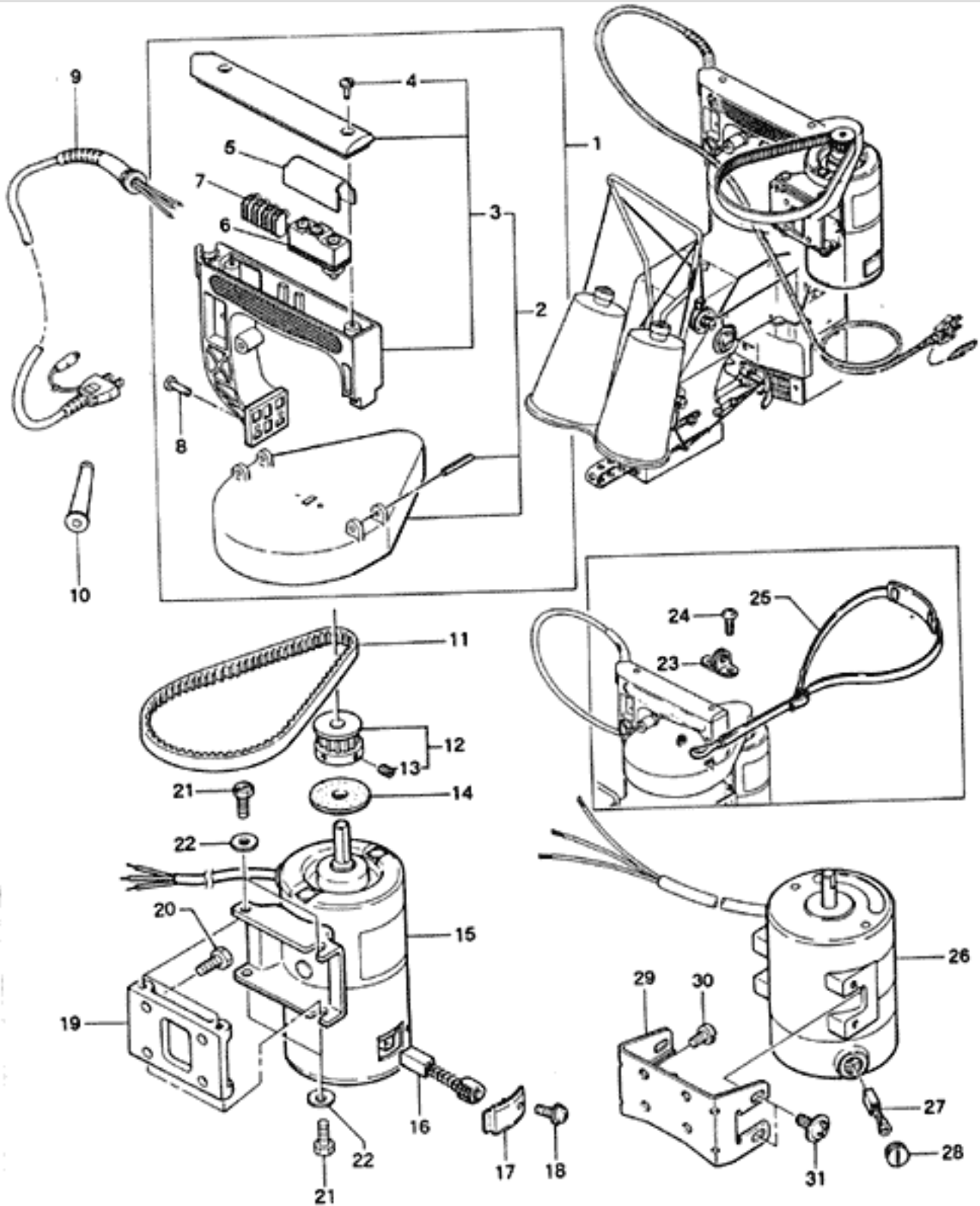


## Feed Driving And Thread Cutter

Ref. No.	Part No.	Description	Q'ty	Remarks
1	205161	Oil Felt	1	
2	204041	Feed Rocker Connecting Rod Pin	1	
3	204031	Feed Rocker Connecting Rod	1	
5	204001	Feed Rocker Shaft Bushing	2	
6	11/64S40002	Screw for 204001	2	
7	205151	Oil Felt	1	
8	204021	Feed Rocker Shaft	1	
9	204011	Feed Rocker	1	
10	P4031	Washer for 204041	1	
11	P4101	Feed Bar Shaft	1	
12	15/64n28208	Nut for 204041	1	
13	204062	Feed Bar	1	(14,15)
14	11/64S40502	Screw for P4101	1	
15	9/64S40001	Feed Dog Height Adjusting Screw	1	
16	205111	Lubricating Felt Holder	1	
17	1/8S44009	Screw for 205111	1	
18	205121	Lubricating Felt	1	
19	204051	Feed Lifting Block	1	
20	204071	Feed Dog	1	
21	P4161	Needle Guard Holder	1	
22	204081	Needle Guard	1	
23	11/64S40012	Screw for 204071	1	
24	204091	Throat Plate	1	
25	9/64S40043	Screw for 204091	3	
26	206043	Knife Bracket Extension	1	
27	11/64S40006	Screw for 206042	1	
28	206061	Knife Bracket Extension Ball	1	
29	11/64S40005	Screw for 206051	1	
30	246051	Knife Tension Spring	1	
31	206002	Knife Bracket Pin Bushing	1	
32	9/64S40503	Screw for 206002	1	
33	206012	Knife Bracket Pin	1	

34	206022	Knife Bracket	1	
35	11/64S40005	Screw for 206022	1	
36	246061	Knife, Moving	1	
37	1/8S40003	Screw for 246061	2	
38	246071	Knife, Stationary	1	
39	1/8S40003	Screw for 246071	2	

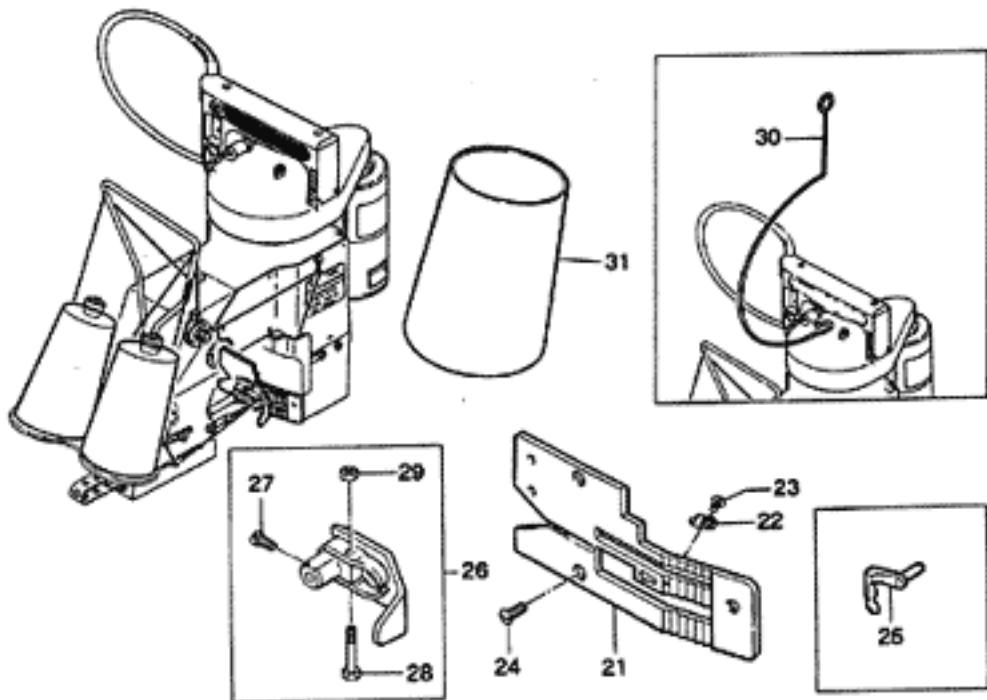
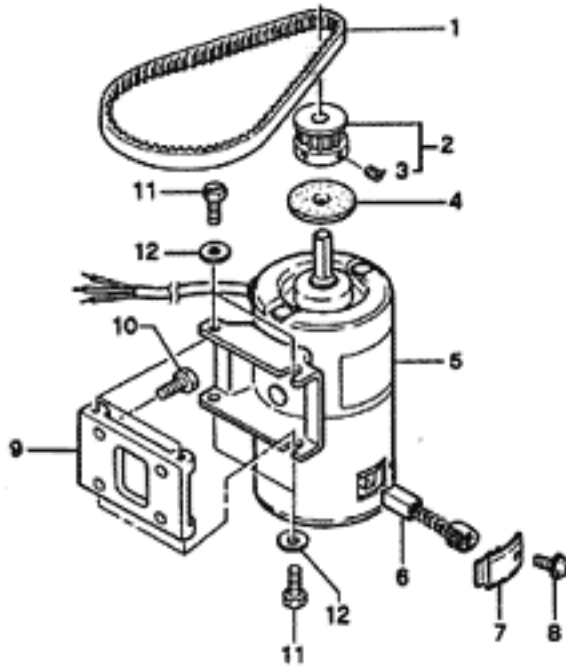






**Motor, Switch And Handle Parts (For Totally Enclosed Type Motor)**

Ref. No.	Part No.	Description	Q'ty	Remarks
1	241024CS	Handle Assembly	1	(2,5~7)
2	241024C	Handle Assembly	1	(3,4)
3	241024	Handle	1	(4)
4	9/64S40011	Screw for 241024C	2	
5	245132	Micro Switch cover	1	
6	C02001C02006	Micro Switch (Z-15GK655-B)Micro Switch (X-10GD-B) for DC Motor	11	
7	C05008	Flexible Terminal Block (ML-SK-1,4P)	1	
8	15/64S28021	Screw for 241024C	2	
9	C04001	Cabtrye Cord, with Plug (Standard Type)	1	
	C04003	Cabtrye Cord, with Plug (American Type)	1	
	C04004	Cabtrye Cord, with Plug (BritishType)	1	
	C04005	Cabtrye Cord, with Plug (German Type)	1	
	C04006	Cabtrye Cord, with Plug (French Type)	1	
	C04007	Cabtrye Cord, with Plug (Australian Type)	1	
	C04009	Cabtrye Cord, with Plug (for DC Motor)	1	
10	211151	Rubber Bushing (for C04003-C04007)	1	
11	F01002	Timing Belt 170XL	1	(15)
12	241082	Motor Pulley	1	(13)
13	11/64S40504	Screw for 241081	2	
14	C07005	Rubber Ring	1	
15	C01028	Universal Motor (220V-90W)	1	(15~ 18)
	C01029	Universal Motor (240V-90W)	1	(15~ 18)
	C01030	Universal Motor (110V-90W)	1	(15~ 18)
16	C08004C08005	Carbon Brush for AC MotorCarbon Brush for DC Motor	22	
17	C07003	Cap	2	
18	4S3x6-W	Screw	2	
19	241072	Motor Base B	1	
20	15/64S28004	Screw for 241072	4	
21	11/64S40075	Screw for Motor	4	
22	11/64W10101	Washer for Motor	4	
23	241151	Hook	1	
24	1/8S40006	Screw for 241151	2	
25	245171	Shoulder Belt	1	
26	C01021	Universal Motor (220V)	11	(27,28)
	C01023	Universal Motor (110V~ 120V)		(27,28)



**Special Order Parts**

Ref. No.	Part No.	Description	Q'ty	Remarks
1	241024CS	Handle Assembly	1	(2,5~7)
2	241024C	Handle Assembly	1	(3,4)
3	241024	Handle	1	(4)
4	9/64S40011	Screw for 241024C	2	
5	245132	Micro Switch cover	1	
6	C02001C02006	Micro Switch (Z-15GK655-B)Micro Switch (X-10GD-B) for DC Motor	11	
7	C05008	Flexible Terminal Block (ML-SK-1,4P)	1	
8	15/64S28021	Screw for 241024C	2	
9	C04001	Cabtrye Cord, with Plug (Standard Type)	1	
	C04003	Cabtrye Cord, with Plug (American Type)	1	
	C04004	Cabtrye Cord, with Plug (BritishType)	1	
	C04005	Cabtrye Cord, with Plug (German Type)	1	
	C04006	Cabtrye Cord, with Plug (French Type)	1	
	C04007	Cabtrye Cord, with Plug (Australian Type)	1	
	C04009	Cabtrye Cord, with Plug (for DC Motor)	1	
10	211151	Rubber Bushing (for C04003-C04007)	1	
11	F01002	Timing Belt 170XL	1	(15)
12	241082	Motor Pulley	1	(13)
21	204092	Throat Plate for Single-Thread Chain Stitch	1	
22	204101	Throat Plate Thread Retainer	1	
23	3/32S56004	Screw for 204101	1	
24	9/64S40043	Screw for 204092	3	
25	203131	Looper for Single-Thread Chain Stitch	1	
26	202121A	Presser Foot Assembly	1	(27~29)
27	11/64S40005	Screw for Presser foot Shank	1	
28	9/64S40055	Presser Foot Hinge Screw	1	
29	9/64N40101	Nut for Presser Foot Hinge Screw	1	
30	245271	Hanger	1	
31	245181	Thread Cone Cover	2	

